

ADVANCED AND EVER ADVANCING **MITSUBISHI ELECTRIC**

MITSUBISHI
SIMPLE APPLICATION CONTROLLER



ENG

GER

FRE

ITL

ESP

HARDWARE MANUAL
α SIMPLE APPLICATION CONTROLLER

α Simple Application Controller

Foreword

- This manual contains text, diagrams and explanations which will guide the reader in the correct installation, safe use and operation of the α Series and should be read and understood before attempting to install or use the unit.
- If in doubt at any stage during the installation of the α Series always consult a professional electrical engineer who is qualified and trained to the local and national standards. If in doubt about the operation or use of the α Series please consult the nearest Mitsubishi Electric distributor.
- This manual is subject to change without notice.

ENG

α Simple Application Controller

ENG

Hardware Manual

Manual number : JY992D74201
Manual revision : H
Date : OCT 1999

Guidelines for the safety of the user and protection of equipment

This manual is written to be used by trained and competent personnel for installation of this equipment as defined by the European directives for machinery, low voltage and EMC. A technician or engineer trained in the local and national electrical standards should perform all tasks associated with the electrical wiring of the α Series controllers. Throughout this manual symbols are used to highlight information relating to the user's personal safety and protection of the equipment. When any of these symbols are encountered, the associated note must be read and understood.

Symbols are:



1) The identified danger will cause physical and property damage.



2) The identified danger could cause physical and property damage.

- Under no circumstances will MITSUBISHI ELECTRIC be liable or responsible for any consequential damage that may arise as a result of installation or use of this equipment.
- All example and diagrams shown in this manual are intended to aid understanding and do not guarantee operation. MITSUBISHI ELECTRIC will accept no responsibility for actual use of this product based on these examples.
- Due to the great variety of possible applications for this equipment, the user must assess the suitability of this product for specific applications.
- If the controller breaks for any reason, please have safety procedures in place to stop any connected equipment in a safe manner.
- Do not replace electrical parts or try to repair an α Series product in any way.
- Please dispose of the α Series product in accordance with local and national standards.

Table of Contents

Guideline	ii
1. Introduction.....	1
2. Hardware Specification	3
2.1 Available Models	3
2.2 Power Supply Specification	4
2.3 Input Specification.....	6
2.4 Output Specification	8
2.5 General Specification	9
3. Installation.....	11
3.1 DIN RAIL Mounting	11
3.2 Termination at Screw Terminals	11
3.3 Installation Mounting Notes.....	12

ENG

ENG

4. Wiring	15
4.1 Installation Wiring Notes	15
4.2 Wire Size and Specifications	15
4.3 Power Supply	16
4.4 Recommended Power Input Wiring Diagram.....	16
4.5 AC Input Wiring.....	17
4.5.1 AC Input Wiring Diagram.....	17
4.6 Wiring Diagrams for the Sink/Source Terminals.....	18
4.6.1 Source (“+” Common) Input Wiring Diagram.....	18
4.6.2 Sink (“-” Common) Input Wiring Diagram	18
4.7 Output Relay and Transistor Wiring.....	19
4.7.1 Relay Output Wiring Diagram (AC and/or DC)	19
4.7.2 Transistor Output (Source or “+” Common Only) Wiring Diagram	20
5. α Series Terminal Layout.....	21
6. How to Use α Series Controllers - Getting Started.....	23
6.1 Connecting Two Blocks	23
6.2 Accessing Blocks	24
6.3 Setting Function Block Parameters.....	25
6.4 Exiting, Running, and Stopping the Program.....	25

1. Introduction

The simple, friendly α Series has been designed for use around your home, office, factory... anywhere that requires a flexible supervisory control function. Every module allows you to read signals and set outputs according to particular conditions or time settings defined by you, the user. Plus the built-in programmable display allows you to check the status of your system anytime.

Special features of the α Series system are:

- Direct (on-device) programming capability
- High current output capability
- Small size
- Easy access programming port
- EEPROM cassette program storage capability
- Built-in Real Time Clock as standard
- Windows based programming package, AL-PCS/WIN-E
- Plus a full range of support documentation and Training packages

The α Series is designed to be used in the following automatic applications: lighting, air conditioning, irrigation, doors, gates, simple security systems, greenhouses, air fans, etc. The Real Time Clock can be used as a power saving device to automatically turn the equipment On/Off at scheduled times.

Debug programs carefully before installing in automated equipment. The α Series is not designed to be used in life critical or fail safe applications.

Contact your dealer for more information.

ENG

ENG

2. Hardware Specification

2.1 Available Models

Table 2.1: Model Table

Model	Power Supply	Input		Output		Dimensions mm (inches)	Weight kg (lbs)
		Type	Number	Type	Number		
AL-6MR-A	100 - 240V AC~	100 - 240V AC~	4	RELAY	2	71.2 x 90 x 55 (2.80 x 3.54 x 2.17)	0.20 (0.44)
AL-10MR-A			6	RELAY	4		
AL-10MR-D	24V DC	24V DC Sink/Source	6	RELAY	4		
AL-10MT-D			6	TRANSISTOR	4		
AL-20MR-A	100 - 240V AC~	100 - 240V AC~	12	RELAY	8	124.6 x 90 x 55 (4.91 x 3.54 x 2.17)	0.32 (0.70)*
AL-20MR-D	24V DC	24V DC Sink/Source	12	RELAY	8		
AL-20MT-D			12	TRANSISTOR	8		

* Without Special Connection Modules.

ENG

2.2 Power Supply Specification

Table 2.2: Power Supply Specifications

Description	Code	Specification
Power Supply	AL-***-A	100 - 240V AC~, +10% -15%, 50 - 60 Hz
	AL-***-D	24V DC, +20% -15%
Maximum Momentary Power Failure	AL-***-A	10ms
	AL-***-D	5ms
In-rush Current	240V AC~ (120V AC~)	≤ 1.5 Amp (0.7 Amp)
	24 V DC	≤ 7.0 Amp
Maximum Power Consumption (without Special Connection Modules)	AL-6MR-A, 264V AC~	3.0 W
	AL-10MR-A, 264V AC~	4.0 W
	AL-10MR-D, 28.8V DC	3.0 W
	AL-10MT-D, 28.8V DC	2.0 W
	AL-20MR-A, 264V AC~	8.0 W
	AL-20MR-D, 28.8V DC	7.0 W
	AL-20MT-D, 28.8V DC	5.0 W

ENG

Table 2.2: Power Supply Specifications

Description	Code	Specification
Typical Power Consumption (without Special Connection Modules)	AL-6MR-A, 240V AC~	I/O all On - 2.5 W, I/O all Off - 1.5 W
	AL-6MR-A, 120V AC~	I/O all On - 2.0 W, I/O all Off - 1.2 W
	AL-10MR-A, 240V AC~	I/O all On - 3.0 W, I/O all Off - 1.5 W
	AL-10MR-A, 120V AC~	I/O all On - 2.5 W, I/O all Off - 1.2 W
	AL-10MR-D, 24V DC	I/O all On - 2.0 W, I/O all Off - 0.3 W
	AL-10MT-D, 24V DC	I/O all On - 2.0 W, I/O all Off - 0.3 W
	AL-20MR-A, 240V AC~	I/O all On - 5.0 W, I/O all Off - 1.5 W
	AL-20MR-A, 120V AC~	I/O all On - 4.0 W, I/O all Off - 1.2 W
	AL-20MR-D, 24V DC	I/O all On - 5.0 W, I/O all Off - 0.3 W
	AL-20MT-D, 24V DC	I/O all On - 5.0 W, I/O all Off - 0.3 W

ENG

2.3 Input Specification**Table 2.3: AC Input Specifications**

Description	AC Input Specification
Input Voltage	100 - 240V AC~, +10% -15%, 50 - 60 Hz
Input Current	0.24mA / 240V AC~, see Note 1
Input Impedance	≥ 800 kOhms
OFF to ON/ ON to OFF	80V/40V
Response Time	~ 50ms
Isolation Circuit	None
Operation Indication	Liquid Crystal Display

Table 2.4: DC Input Specifications

Description	Sink ("-" Common)	Source ("+" Common)
Input Voltage	24V DC +20% -15%	24V DC +20% -15%
Input Current	5.0 mA	5.0 mA
OFF to ON/ ON to OFF	Current: ≥ 4.3mA / ≤ 1.1 mA Voltage: ≤ 4V / ≥ 18V	Voltage: ≥ 18V / ≤ 4V
Response Time (I01 - I08)	10 - 20 ms	10 - 20 ms
Response Time (I09 - I12)	20 - 40 ms	20 - 40 ms
Isolation Circuit	None	None
Operation Indication	Liquid Crystal Display	

Note 1 - Current leakage from the sensors connected to the inputs might provide enough current to turn the controller On. Do not use two wire sensors.

ENG

Table 2.5: Analog Input Specifications

Description	Analog Input Specification
AL-10M*-D	6 Channels: I01 - I06
AL-20M*-D	8 Channels: I01 - I08
Analog Input Range	0 - 250
Resolution	10000/250 mv
Conversion Speed	10 ms
Input Voltage	0 - 10V DC
Input Impedance	150 kOhm or higher
Overall Accuracy	+/- 5% (0.5V DC)
Offset/Gain	Offset Value = 0 at 0V DC Gain Value: 0 - 10V = 0 - 250 These default values can be changed in the Offset FB
Temperature Drift	+/- 3 LSB

ENG

2.4 Output Specification

Table 2.6: Relay Output Specifications

Description	Relay Specification
Switched Voltage	250V AC~ or less, 30V DC or less
Max. Resistive Load (AL-6M** or AL-10M**)	8A/common (10A/common for 110V AC~ outputs)
Contact Life Cycle / Resistance Load	100,000 Cycles at 8 Amps / 240V AC~ or 24V DC 30,000 Cycles at 10 Amps / 110V AC~
Minimum Load	50mW (10mA at 5V DC)
Max. Inductive Load	245 VA (1/3 hp)/ 125 VAC~, 367 VA (1/2 hp) / 250 VAC~
Response Time	10ms or less
Operation Indication	Liquid Crystal Display
Isolation Circuit	By Relay

Table 2.7: Transistor Output Specifications (Source Type only)

Description	Transistor Specification
Switched Voltage	5 - 24V DC (+20%, -5%)
Max. Resistive Load	1A / point (8 - 24V DC), 0.1A / point (5 - 8V DC)
Minimum Load	1.0mA
Max. Inductive Load	1A / 24V DC (24 W)
Max. Lamp Load	0.125 A / 24V DC (3.0 W)
Response Time On/Off, Off/On (approx)	≤ 1 ms
Open Circuit Current Leakage	≤ 0.1mA / 24V DC
Operation Indication	Liquid Crystal Display
Isolation Circuit	None

ENG

2.5 General Specification

Table 2.8: Environmental and Electrical Specifications

Description	Specification
Programming Method	Function Block
Program Capacity	64 Function Blocks or 1500 bytes
Program Storage	Built in EEPROM (no battery backup required) or optional EEPROM cassette
Device Backup	20 Days at 25°C (by capacitor)
RTC Backup	20 Days at 25°C (by capacitor)
RTC Accuracy	5 seconds / day
Operating Temperature	0 - 55 °C
Storage Temperature	(-30) - 70 °C
Vibration Resistance - Direct Mounting	Conforms to IEC 68-2-6; 10-57 Hz: 0.15 mm Constant Amplitude 57-150 Hz: 19.6 m/s ² Acceleration Sweep Count for X,Y,Z: 10 times (80 minutes in each direction)
Vibration Resistance - DIN Rail mounting	Conforms to IEC 68-2-6; 10-57 Hz: 0.075 mm Constant Amplitude 57-150 Hz: 9.8 m/s ² Acceleration Sweep Count for X,Y,Z: 10 times (80 minutes in each direction)
Shock Resistance	Conforms to IEC 68-2-27: 147m/s ² Acceleration, Action Time: 11 ms 3 times in each direction X,Y, and Z
Noise Immunity	1000Vpp, 1 microsecond, 30 - 100 Hz, tested by noise simulator
Humidity	35 - 85% Relative Humidity, no condensation
Dielectric withstand voltage	3750V AC > 1 min per EN60730-1 between the following points: Power/Input Terminals and Relay Output Terminals Relay Output Terminal and Relay Output Terminal All Terminals and the DIN 43880 Control box or equivalent

ENG

Table 2.8: Environmental and Electrical Specifications

Description	Specification
Insulation Resistance	7 Mohm at 500V DC per EN60730-1 between the following points: Power/Input Terminals and Relay Output Terminals Relay Output Terminal and Relay Output Terminal All Terminals and the DIN 43880 Control box or equivalent
Type of Action	EN 60730-1, Section 6.4.3 - Type 1C (Relay Output)
Type of Action	EN 60730-1, Section 6.4.3 - Type 1Y (Transistor Output)
Software Class	EN 60730-1, Section H6.18 - Class A
Construction of Control	EN 60730-1, Section 6.15 - Incorporated Control
Whether the Control is electric	EN 60730-1, Section H2.5.7 - Electric Control
Safety Class	II
Pollution Control	For use in normal pollution situations
Grounding	None
Electrical Isolation	Reinforced primary/secondary insulation
Operation Ambience	To be free of corrosive gases. Dust should be minimal.
Protection	IP 20
Certifications	CE, UL/cUL
Attestation of Conformity	TÜV (AL-10MT-D, AL-10MR-D)
Complies with	UL 508 EN60730-1 EN61010-1 EN50081-1 EN50082-1 EN50082-2
Liquid Crystal Display	Will display 4 lines of ten characters per line, Program Run On/Off mode, Password Protection, Image Table, and Function Blocks during programming.

ENG

3. Installation

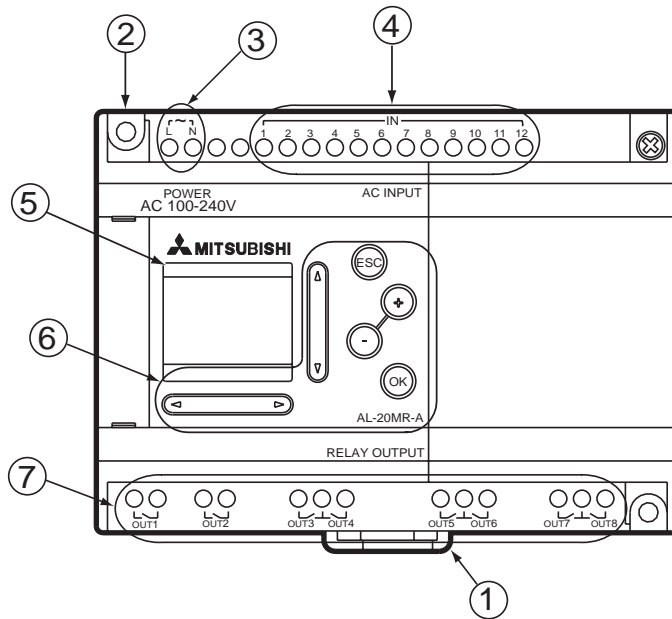


Table 3.1: Front Panel Layout

Ref.	Item Description
1	DIN-RAIL Mounting clips
2	Mounting hole, Dia. 4.2 mm
3	Power Terminals
4	Input Terminals
5	Liquid Crystal Display
6	Operation keys
7	Output Terminals

ENG

3.1 DIN RAIL Mounting

Units can be snap mounted to 35mm DIN rail (DIN EN 50022). To release pull the spring loaded clips away from the rail and slide the unit off and up.

3.2 Termination at Screw Terminals

Cables terminating at a screw terminal should be fitted with insulated crimp terminals.

3.3 Installation Mounting Notes



The α Series' safe design means the user can install it almost anywhere but the following points should be taken into consideration.

Do not install in areas with: excessive or conductive dust, corrosive or flammable gas, moisture or rain, excessive heat, regular impact shocks or excessive vibration. Do not place in water or let water leak onto the controller.

Do not allow debris to fall inside the unit during installation.

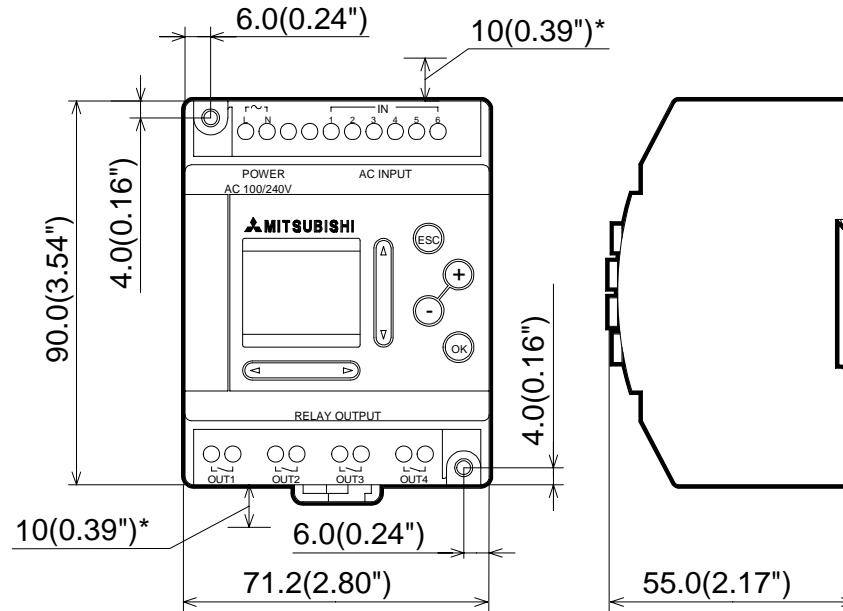
Keep as far as possible from high-voltage cables and power equipment.

The α Series Controller must be installed in cabinets which are designed for the assembly of devices complying to DIN 43880 or in a control box.

Use size M4 screws when mounting by screw holes.

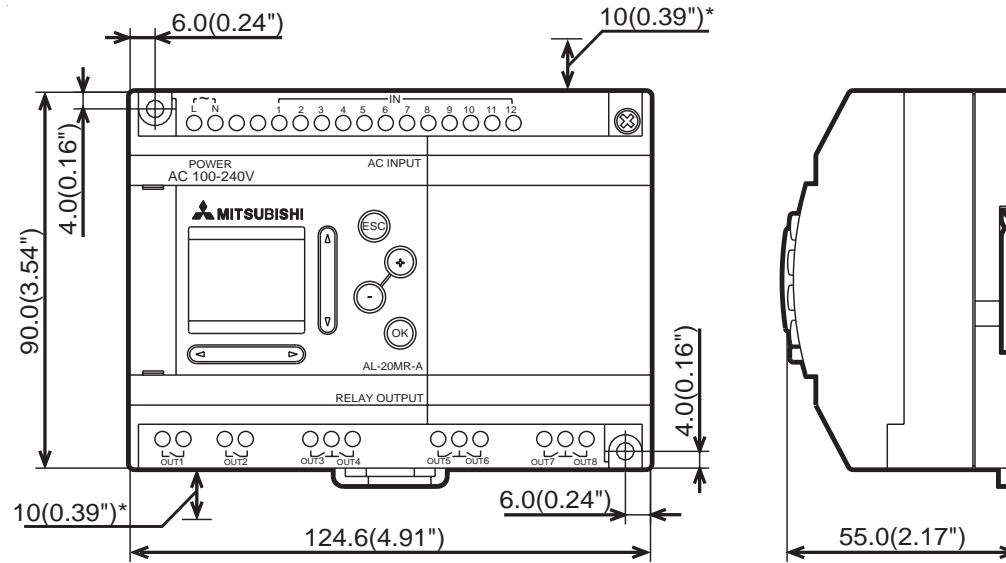
The connectors must be covered to prevent injury from contact with "live" wires.

* Leave a minimum of 10mm of space for ventilation between the top and bottom edges of the α Series Controller and the enclosure walls.



ENG

Do not disassemble the α Series controller. Refer to the Memory Cassette Manual when changing the Memory Cassette.



ENG

ENG

4. Wiring

4.1 Installation Wiring Notes



The wiring of α Series has been designed to be safe and easy. A technician or engineer trained in the local and national electrical standards should perform all tasks associated with the electrical wiring of the α Series controllers. Turn off the Power before performing any wiring operations.

- Input and output cables should not be run through the same multicore cable or share the same wire.
- Do not lay input/output cables near high voltage power cables.

Allow for voltage drop and noise interference with input/output lines used over an extended distance. Please use wire that is properly sized for the current load.

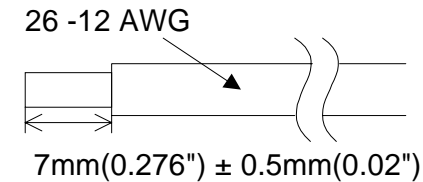
ENG

4.2 Wire Size and Specifications



Wire the Inputs and Outputs using 26 - 12 AWG wire (0.13 mm² - 3.31 mm²). Strip the wire to a length of 7 ± 0.5 mm (0.250 - 0.300 inches). Please unscrew the terminal to its widest position before inserting a wire. Insert the wire completely into the terminal to ensure that a proper connection can be made. Insert the wire into the terminal and tighten enough to keep the wire from pulling free. To avoid damaging the wire, do not exceed a maximum torque of 0.5 N·m (5 kgf·cm). Please do not use tin, solder, or any other substance on the stripped wire that might cause the wire strand to break.

The terminals will accept a 3mm flathead screwdriver.



4.3 Power Supply



When wiring AC supplies the “Live” cable should be connected to the “L” terminal and the “Neutral” cable should be connected to the “N” terminal. Do NOT connect the “Live” wire to the “N” terminal, the user might receive a dangerous shock on powerup.

When wiring DC supplies the “positive” cable should be connected to the “+” terminal and the negative cable should be connected to the “-” terminal. On no account should the power supply terminals be connected to any other terminal on the unit. DC Power Supply units should be capable of providing 4 Amperes of current to the controller.

ENG

4.4 Recommended Power Input Wiring Diagram

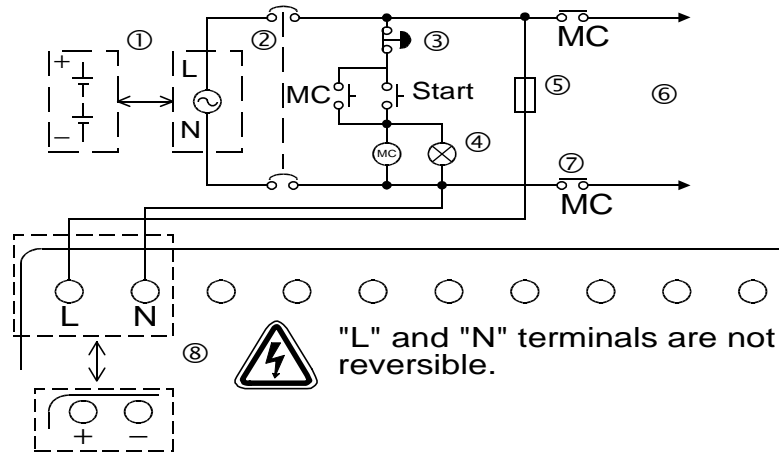


Table 4.1: Recommended Power Wiring

Ref.	Item Description
1	Power Supply: AC~:100-240V 50-60Hz DC: 24V
2	Circuit Isolation Device
3	Emergency Stop
4	Power On Pilot Indicator
5	Circuit protection device - limit to 1.0 Amps
6	Power Supply for AC loads
7	Magnetic Switch Contact
8	α Base Unit

4.5 AC Input Wiring

4.5.1 AC Input Wiring Diagram

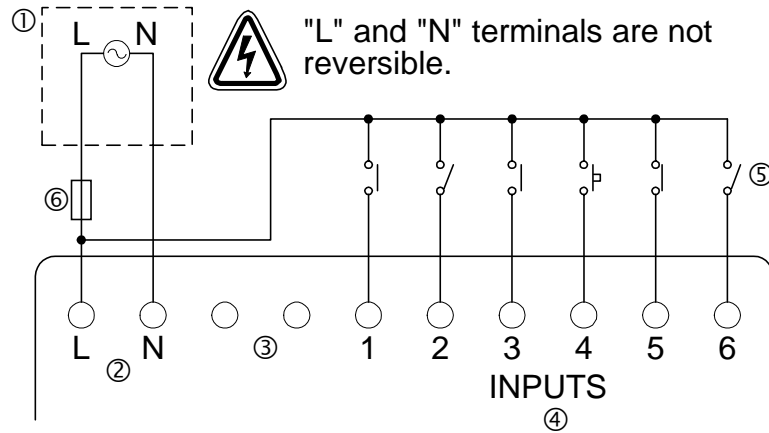


Table 4.2: AC Input Typical Wiring

Ref.	Item Description
1	AC Power Supply, 100 - 240V AC~ 50 - 60 Hz
2	AC Power Terminals
3	Unused Terminals
4	Input Terminals
5	Digital Input Switches
6	Circuit Protection Device - Limit to 1.0 Amps

ENG

4.6 Wiring Diagrams for the Sink/Source Terminals

4.6.1 Source ("+" Common) Input Wiring Diagram

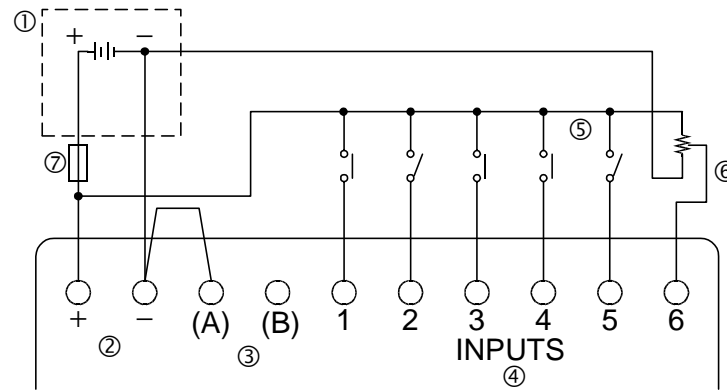
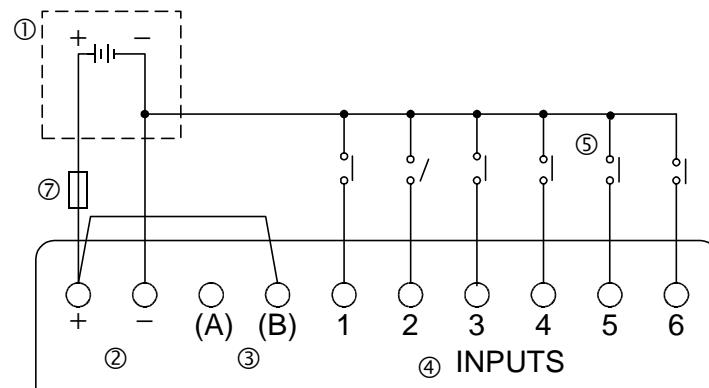


Table 4.3: Sink/Source Input Wiring

Ref.	Item Description
1	DC Service Supply, 24V DC
2	DC Power Terminals
3	Sink/Source Input Wiring Terminals
4	Input Terminals
5	Sensor Input Switches
6	Analog Input
7	Circuit Protection Device - Limit to 1.0 Amps

4.6.2 Sink ("-") Common Input Wiring Diagram



ENG

4.7 Output Relay and Transistor Wiring

4.7.1 Relay Output Wiring Diagram (AC and/or DC)

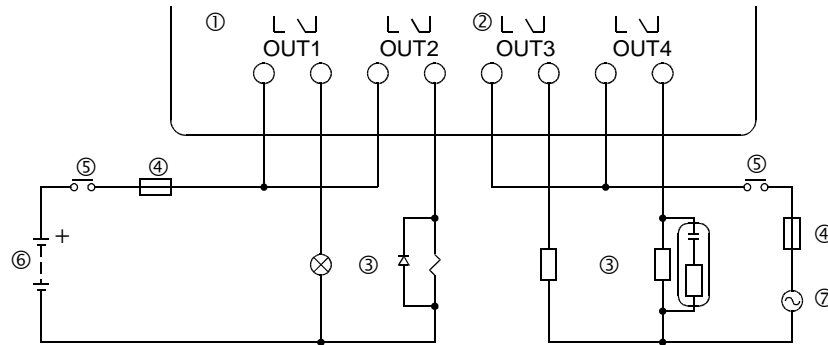


Table 4.4: Relay Output Wiring

Ref.	Item Description
1	α Base Unit
2	Mutually exclusive outputs
3	Output Devices
4	Circuit Protection Device - Limit to 10 Amps per every four output terminals used.
5	Emergency Stop
6	DC Power Supply
7	AC Power Supply

ENG

4.7.2 Transistor Output (Source or “+” Common Only) Wiring Diagram

ENG

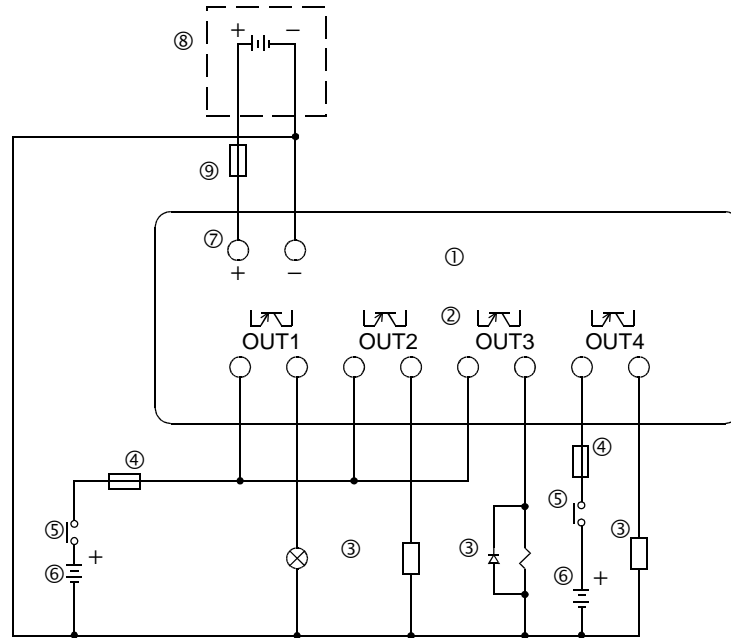


Table 4.5: Transistor Output Wiring

Ref.	Item Description
1	α Base Unit
2	Output Terminals
3	Output Devices
4	Circuit Protection Device - See Table 4.6 for Specifications
5	Emergency Stop
6	DC Power Supply for output
7	Power Terminal
8	DC Power Supply, 24V DC
9	Circuit Protection Device - Limit to 1.0 Amps

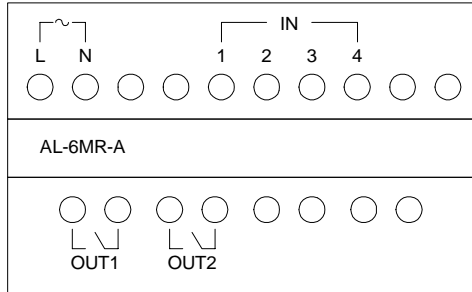
Table 4.6: Transistor Output Circuit Protection Table

Circuit Voltage	Circuit Protection (Fuse)
5 Volt	≤ 0.3 Amps per Circuit
12 Volt	≤ 2.0 Amps per Circuit
24 Volt	≤ 2.0 Amps per Circuit

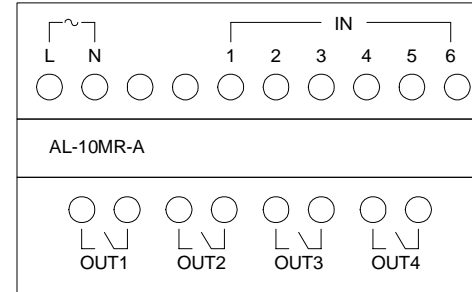
Volt	Output Terminal Notes
5	Each circuit can contain from one output terminal up to every output terminal.
12-24	Each circuit can contain from one output terminal up to every output terminal.
5,12,24	Using any combination of 5 Volt, 12 Volt, and 24 Volt outputs can be accomplished on the same α Series Controller if separate circuits are used for each voltage level.

5. α Series Terminal Layout

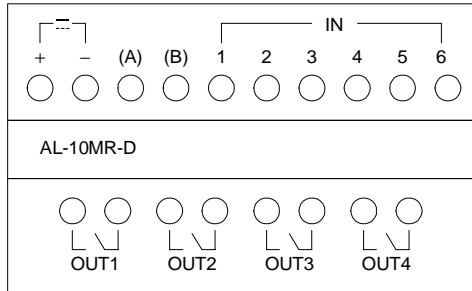
AL-6MR-A, AC Input, Relay Output



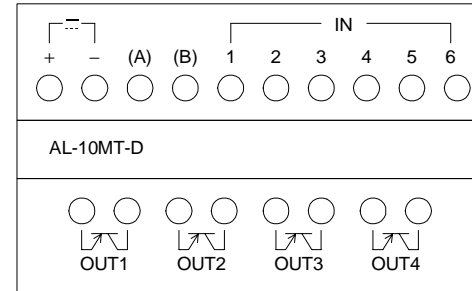
AL-10MR-A, AC Input, Relay Output



AL-10MR-D, DC Input, Relay Output



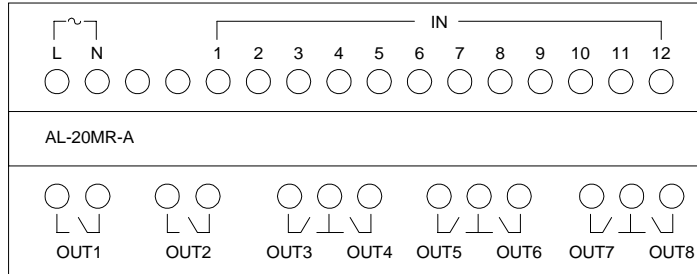
AL-10MT-D, DC Input, Transistor Output



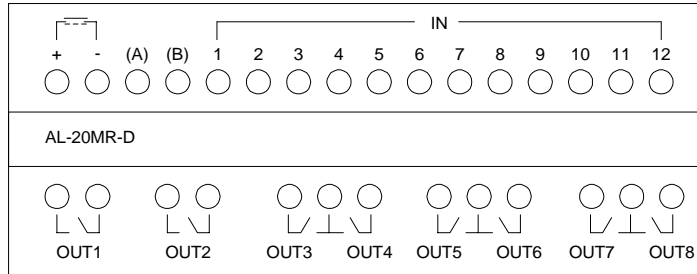
ENG

ENG

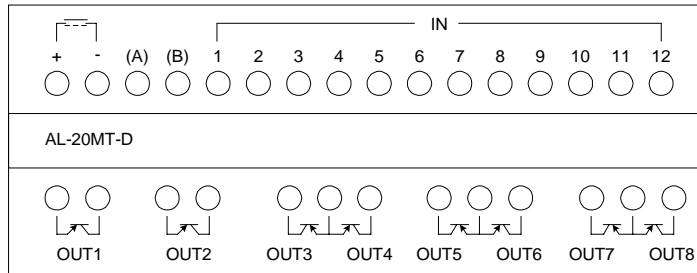
AL-20MR-A, AC Input, Relay Output



AL-20MR-D, DC Input, Relay Output



AL-20MT-D, DC Input, Transistor Output



6. How to Use α Series Controllers - Getting Started

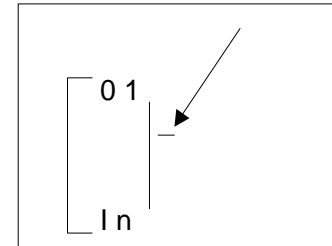
α Series controllers use Function Block Programming. In this style of programming, Function Blocks are connected together to build a program. There are five types of blocks that can be placed in your program: System Inputs, front panel Key, System M bits, Function Blocks, and System Outputs.

A screen showing the date, time, and image table (input and output status) will show when the controller is turned On. Hit any key to proceed to the Top Menu. Enter the ProgEdit mode with the OK key to begin programming.

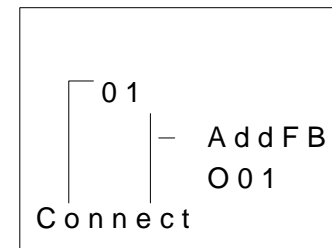
ENG

6.1 Connecting Two Blocks

Function Blocks (FB) are connected by joining an output pin to an unused input pin. The arrow is pointing to the output pin. The output pin is always shown on the right side of the function blocks. Unused Input pins are shown as ">" while used input pins show as a solid triangles. Press the right arrow button to move the screen to the right until the output pin is flashing. Use the "+" key to connect or "add" a FB. The "-" key will disconnect two devices.



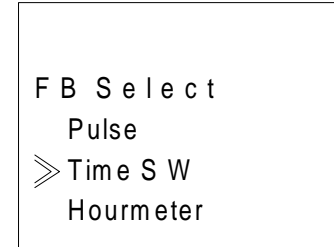
Press the "+" key. The FB options available for connection appear on the right of the screen. Use the Up and Down arrows to move to the desired device to add. The current choice will be blinking. A "Connect" prompt will appear on the top or bottom of the screen. Choose the desired connecting block with the OK key



ENG

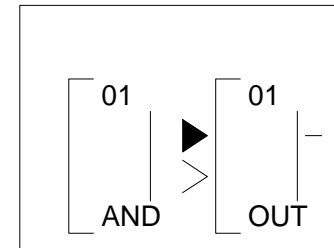
Inputs, Keys, M bits, Function Blocks, and Outputs will automatically show whenever they can be connected. Function Blocks must be added during the course of programming.

To add a new FB, select AddFB. The AddFB menu will show the list of twenty-two function blocks (see function block descriptions at the end of this chapter). Choose the appropriate block with the OK key.



Choose an open (“>”) input pin and enter OK. The “connect” prompt should disappear from the screen - the two function blocks are now connected!

Output pins can be connected to multiple input pins but input pins can have only one connection.

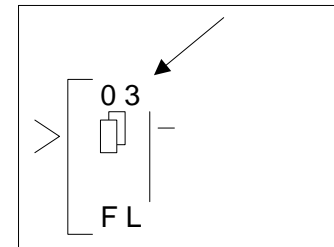


6.2 Accessing Blocks

When the FB number is flashing, use the “+” and “-” keys to scroll through adjacently numbered blocks.

Ex. Input number 03 flashing on the display. Pressing the “+” key will move the screen to Input number 04. Inputs, Outputs, Keys, and Memory bits can be accessed in this manner.

Function Blocks will perform the same operation but will scroll only through the Function Blocks that have been added to the program.



6.3 Setting Function Block Parameters

Some Function Blocks have parameters that need to be set. These parameters include Time (T), elapsed time (t), Set Repetitions (N), actual repetitions (n), Set/Reset Priority and more.

Use the arrow keys to move to the FB. When the FB number is flashing, enter OK twice to enter the FB Setup mode. Adjust the options to fit the program requirements (refer to Key Operations Table 6.1). *Enter all the necessary data on each screen before using the OK button to accept.*

Some FB have multiple option screens available. Use the ESC key to move to a higher screen without saving the contents to system memory. When finished entering data, use the ESC button to return to higher screen levels until the main programming screen is shown again.

```
B 0 3 : F L
  O n T i m e
T =      0 . 0 s
t =      0 . 0 s
```

ENG

6.4 Exiting, Running, and Stopping the Program

Use the ESC button to enter the Edit Menu (the ESC button might have to be pressed more than once) and use the Exit option to leave ProgEdit.

```
E d i t M e n u
P r o g S i z e
>> J u m p
N e w F B
E x i t
M n e m o n i c
```

Use the Run option to begin the program. Confirm with OK. When the program is running the front screen is shown with the time, date, and image table.

Press any key to enter the Top Menu where the Stop option is located. Enter this option to Stop the program and confirm with OK.

Other options that can be selected include:

ClockSet - Set the Real Time Clock.

Language - Choose English, Japanese, German, French, Italian, or Spanish

```
T o p M e n u
R u n
P r o g E d i t
>> P r o g C l e a r
C l o c k S e t
L A N G U A G E
O t h e r s . . .
```

ProgClear - Deletes everything in program memory, programs and data!

Others - Gives more Options for a Version Check, Password Protection, Summer Time Change Schedule, Modem Initialization, and Menu Key operation.

Table 6.1:Key Number and Basic Operation

Key number	Main Key Function
K01	OK: acceptance of data entry, menu options, program choices
K02	ESC: cancel current operation, move to higher screen or menu
K03	"+": connect function blocks, move to higher numbered blocks, increment values
K04	"-": disconnect function blocks, move to lower numbered blocks, decrement values
K05	Up (▲): scroll to higher number numbered items (keys, FB, Inputs, Outputs, etc.)
K06	Down (▼): scroll to lower numbered items (keys, FB, Inputs, Outputs, etc.)
K07	Right (▶): move to the right on the LCD display, FB program or Jump command
K08	Left (◀): move to the left on the LCD display, FB program or Jump command

ENG

Table 6.2: Function Block Description

Function Block	Byte	Description
AND	19	Output On when all Inputs are On, Unused inputs considered On
OR	19	Output On when at least one input On, Unused inputs considered Off
XOR	13	Exclusive OR; Output On when only One of Two Inputs is On
NAND	19	Not AND; Output Off only when all Inputs On, Unused inputs considered On

Table 6.2: Function Block Description

Function Block	Byte	Description
NOR	19	Not OR; Output Off when at least one Input is On, Unused inputs considered Off
NOT	10	Inverts a signal; changes an Off to an On and vice versa
BOOLEAN	*	Logic equation using AND, OR, XOR, and NOT
SET/RESET	14	Latch a relay in SET or RESET position, give Set or Reset priority
DELAY	19	Delay a signal on the Rising, Falling, or both Edges
ONE SHOT	17	Send a single pulse; Time or Input signal based, Reset pin available
PULSE	10	Send a Pulse on the Rising, Falling, or both Edges
FLICKER	19	Send a pulse train; On/Off times, repetitions, duration, or continuous operation
ALT	13	Output alternates turning On or Off with each input pulse
COUNTER	16	Count upwards on pulses, can reset at an input value or signal
U/D COUNTER	22	Up and Down Counter with Preset Input and Clear functions
COMPARE	17	Compare two values for <, >, =, <=, >=, <> (Analog, Direct Set, or FB values)
TIME SWITCH	*	Use the RTC to turn output On/Off; Calendar or weekly schedule
OFFSET GAIN	22	Manipulate Analog Values; $y = A/B \cdot x + C$; Set High and Low Limit Values
DISPLAY	*	Display Messages or Data on the LCD display
ZONE COMPARE	20	Compare a value to a range of values (Analog, Direct Set, or FB values)
SCHMITT TRIGGER	19	Turn an Input On at the High Value and Off at the Low Value (or vice versa)
HOUR METER	19	Records the accumulated time an Output or Input signal has been ON
System Outputs	10	Controls External Devices through Relays and Transistors.

*Number of bytes varies with input data.

ENG

ENG

ADVANCED AND EVER ADVANCING **MITSUBISHI ELECTRIC**

 **MITSUBISHI**
SIMPLE APPLICATION CONTROLLER



GER

HARDWARE-HANDBUCH

α -Steuerung

α -Steuerung

Vorwort

- Dieses Handbuch enthält Texte, Abbildungen und Erläuterungen zur korrekten Installation und Bedienung der α -Steuerung. Vor der Installation und dem Einsatz des Gerätes muß dieses Handbuch gelesen werden. Die Inhalte müssen verstanden sein.
- Wenn während der Installation Fragen auftreten, ziehen Sie auf jeden Fall eine Elektrofachkraft zu Rate, die mit den lokalen und nationalen elektrotechnischen Bestimmungen vertraut ist. Setzen Sie sich mit dem nächstliegenden Händler von MITSUBISHI ELECTRIC in Verbindung, wenn Sie Unterstützung bei der Bedienung oder Anwendung der α -Steuerung benötigen.
- Dieses Handbuch wird vorbehaltlich etwaiger Änderungen herausgegeben. Änderungen können ohne Hinweis vorgenommen werden.

GER

α-Steuerung

GER

Hardware-Handbuch

Nummer : JY992D74201
Revision : H
Datum : 10/1999

Sicherheitsrichtlinien für den Anwender und Schutzmaßnahmen für die α-Steuerung

- Dieses Handbuch wurde für geschultes und kompetentes Personal erstellt. Die Qualifizierung wird durch die europäischen Richtlinien für Maschinen, Niederspannungen und EMV definiert. Die Verdrahtungsarbeiten an der α-Steuerung dürfen nur von einer Elektrofachkraft, die mit den lokalen und nationalen elektrotechnischen Bestimmungen vertraut ist, durchgeführt werden. In diesem Handbuch werden zur Hervorhebung von bestimmten Informationen verschiedene Symbole verwendet. Hiermit erhält das Bedienpersonal alle notwendigen Hinweise zu den Sicherheits- und Schutzmaßnahmen. Bei jedem Auftreten der Symbole muß der zugehörige Hinweis gelesen werden. Die angegebene Information muß verstanden sein.

GER



- 1) Bezeichnet eine unmittelbar drohende Gefahr, die zu einem Personen- oder Sachschaden führen kann.



- 2) Bezeichnet eine möglicherweise auftretende Gefahr, die zu einem Personen- oder Sachschaden führen kann.

- MITSUBISHI ELECTRIC übernimmt unter keinen Umständen die Haftung oder Verantwortung für einen Schaden, der aus einer unsachgemäßen Installation oder Anwendung der Geräte oder des Zubehörs entstanden ist.
- Alle Beispiele und Abbildungen in diesem Handbuch dienen nur als Hilfe zum Verstehen des Textes. Für die Richtigkeit der dargestellten Bedienvorgänge kann keine Gewährleistung übernommen werden. MITSUBISHI ELECTRIC übernimmt keine Verantwortung für eine Produkthanwendung, die sich auf die dargestellten Beispiele bezieht.
- Aufgrund der großen Anzahl von verschiedenen Anwendungsmöglichkeiten dieser Geräte müssen Sie die Anpassung für Ihren speziellen Anwendungsfall selbst vornehmen.
- Wenn die Steuerung ausfallen sollte, müssen entsprechende Sicherheitseinrichtungen dafür sorgen, daß die angeschlossene Peripherie angehalten wird.
- Versuchen Sie niemals die α -Steuerung zu reparieren oder elektrische Teile auszutauschen.
- Beachten Sie bei der Installation und dem Einsatz der α -Steuerung die lokalen und nationalen Normen.

Inhaltsverzeichnis

Sicherheitsrichtlinien	ii
1. Einleitung	1
2. Technische Daten	3
2.1 Verfügbare Modelle.....	3
2.2 Spannungsversorgung.....	4
2.3 Eingänge.....	6
2.4 Ausgänge.....	8
2.5 Umgebungsbedingungen.....	9
3. Installation.....	11
3.1 DIN-Schienen-Montage	11
3.2 Schraubklemmenanschluß	11
3.3 Installationshinweise	12

GER

GER

4. Verdrahtung	15
4.1 Hinweise zur Installationsverdrahtung	15
4.2 Kabelgröße und Spezifikationen	15
4.3 Spannungsversorgung	16
4.4 Empfohlene Verdrahtung der Spannungsversorgung	16
4.5 Verdrahtung der AC-Eingänge	17
4.5.1 Verdrahtung der AC-Eingänge	17
4.6 Verdrahtung der Sink-/Source-Eingänge	18
4.6.1 Source-Eingangsverdrahtung (plusschaltend)	18
4.6.2 Sink-Eingangsverdrahtung (minusschaltend)	18
4.7 Relais-/Transistor-Ausgangsverdrahtung	19
4.7.1 Relais-Ausgangsverdrahtung (AC und/oder DC)	19
4.7.2 Transistor-Ausgangsverdrahtung (nur Source - plusschaltend)	20
5. Klemmenbelegungen	21
6. Einstieg in die Programmierung	23
6.1 Verbinden von zwei Blöcken	23
6.2 Bearbeitung von Blöcken	24
6.3 Einstellung der Funktionsblockparameter	25
6.4 Verlassen, Starten und Stoppen des Programms	26

1. Einleitung

Die α-Steuerung ist ausgesprochen einfach zu bedienen und prädestiniert für alle möglichen Schalt-, Steuerungs- und Überwachungsaufgaben rund um Ihr Haus, Ihr Büro, Ihre Fabrik, ... eigentlich überall.

Mit jedem Modul können Sie Signale lesen und Ausgänge setzen, und zwar genau nach den Bedingungen und Zeitvorgaben, die Sie festgelegt haben. Natürlich können Sie den aktuellen Zustand des Systems auf der Anzeige jederzeit ablesen.

Besonderheiten der α-Steuerung:

- Programmierung direkt am Gerät
- Hohe Ausgangstromschaltleistung
- Kleine Abmessungen
- Programmierschnittstelle direkt auf dem Gerät
- EEPROM-Kassetten für die Programmspeicherung
- Integrierte Echtzeituhr als Standard
- Windows-Programmiersoftware AL-PCS/WIN-E
- Ausführliche Dokumentation und Lernpakete

GER

Die α-Steuerung ist für die folgenden automatischen Anwendungen konstruiert: Beleuchtung, Klimaanlage, Bewässerung, Türen, Tore, einfache Alarmanlagen, Gewächshäuser, Belüftungsanlagen usw. Die integrierte Echtzeituhr kann als stromsparende Komponente verwendet werden, da sie die Anlage zu vorher festgelegten Zeiten ein- und ausschalten kann.

Testen Sie die Programme sorgfältig, bevor Sie sie in automatisierten Einrichtungen installieren. Die α-Steuerung wurde nicht für lebenserhaltende oder selbstüberwachende Anwendungen entwickelt.

Bitte wenden Sie sich an Ihren Händler, dort erhalten Sie detaillierte Informationen zu diesem Produkt.

GER

2. Technische Daten**2.1 Verfügbare Modelle***Tabelle 2.1: Typenbeschreibung*

Modell	Spannungsversorgung	Eingänge		Ausgänge		Abmessungen mm	Gewicht kg
		Typ	Anzahl	Typ	Anzahl		
AL-6MR-A	100 - 240 V AC~	100 - 240 V AC~	4	RELAIS	2	71,2 x 90 x 55	0,2
AL-10MR-A			6	RELAIS	4		
AL-10MR-D	24 V DC	24 V DC Sink/Source	6	RELAIS	4		
AL-10MT-D			6	TRANSISTOR	4		
AL-20MR-A	100 - 240 V AC~	100 - 240 V AC~	12	RELAIS	8	124,6 x 90 x 55	0,32*
AL-20MR-D	24 V DC	24 V DC Sink/Source	12	RELAIS	8		
AL-20MT-D			12	TRANSISTOR	8		

*Ohne Sonderfunktionsmodule.

GER

2.2 Spannungsversorgung

Tabelle 2.2: Spannungsversorgung

Beschreibung	Modell	Technische Daten
Spannungsversorgung	AL-***-A	100 - 240V AC~, +10% -15%, 50 - 60 Hz
	AL-***-D	24 V DC, +20% -15%
max. zulässige Spannungsausfallzeit	AL-***-A	10 ms
	AL-***-D	5 ms
Stromspitzenwerte	240 V AC~ (120 V AC~)	$\leq 1,5$ A (0,7 A)
	24 V DC	$\leq 7,0$ A
Max. Leistungsaufnahme (ohne Sonderfunktionsmodule)	AL-6MR-A, 264 V AC~	3,0 W
	AL-10MR-A, 264 V AC~	4,0 W
	AL-10MR-D, 28,8 V DC	3,0 W
	AL-10MT-D, 28,8 V DC	2,0 W
	AL-10MR-A, 264 V AC~	8,0 W
	AL-20MR-D, 28,8 V DC	7,0 W
	AL-20MT-D, 28,8 V DC	5,0 W

GER

Tabelle 2.2: Spannungsversorgung

Beschreibung	Modell	Technische Daten
Typ. Leistungsaufnahme (ohne Sonderfunktionsmodule)	AL-6MR-A, 240 V AC~	Alle E/A ein - 2,5 W, alle E/A aus - 1,5 W
	AL-6MR-A, 120 V AC~	Alle E/A ein - 2,0 W, alle E/A aus - 1,2 W
	AL-10MR-A, 240 V AC~	Alle E/A ein - 3,0 W, alle E/A aus - 1,5 W
	AL-10MR-A, 120 V AC~	Alle E/A ein - 2,5 W, alle E/A aus - 1,2 W
	AL-10MR-D, 24 V DC	Alle E/A ein - 2,0 W, alle E/A aus - 0,3 W
	AL-10MT-D, 24 V DC	Alle E/A ein - 2,0 W, alle E/A aus - 0,3 W
	AL-20MR-A, 240 V AC~	Alle E/A ein - 5,0 W, alle E/A aus - 1,5 W
	AL-20MR-A, 120 V AC~	Alle E/A ein - 4,0 W, alle E/A aus - 1,2 W
	AL-20MR-D, 24 V DC	Alle E/A ein - 5,0 W, alle E/A aus - 0,3 W
	AL-20MT-D, 24 V DC	Alle E/A ein - 5,0 W, alle E/A aus - 0,3 W

GER

2.3 Eingänge

Tabelle 2.3: Technische Daten der AC-Eingänge

Beschreibung	Technische Daten
Eingangsspannung	100-240 V AC~, +10% -15%, 50 - 60 Hz
Eingangsstrom	0,24mA / 240V AC~, Siehe Hinweis 1*
Eingangsimpedanz	≥ 800 kOhm
AUS->EIN/EIN->AUS	80 V / 40 V
Ansprechzeit	~ 50 ms
Schaltkreis isolation	keine
Betriebsanzeige	LCD-Anzeige

GER

Tabelle 2.4: Technische Daten der DC-Eingänge

Beschreibung	Sink ("-" Common)	Source ("+" Common)
Eingangsspannung	24 V DC +20% -15%	24 V DC +20% -15%
Eingangsstrom	5,0 mA	5,0 mA
AUS->EIN/EIN->AUS	Strom: $\geq 4,3$ mA / $\leq 1,1$ mA Spannung: ≤ 4 V / ≥ 18 V	Spannung: ≥ 18 V / ≤ 4 V
Ansprechzeit (I01 - I08)	10 - 20 ms	10 - 20 ms
Ansprechzeit (I09 - I12)	20 - 40 ms	20 - 40 ms
Schaltkreis isolation	keine	keine
Betriebsanzeige	LCD-Anzeige	

*Hinweis 1: Stromableitungen von den an die Eingänge angeschlossenen Sensoren könnten genug Strom liefern, um die Steuerung einzuschalten. Keine Zweileiter-Sensoren verwenden.

Tabelle 2.5: Technische Daten der Analogeingänge

Beschreibung	Technische Daten
AL-10M*-D	6 Kanäle: I01 - I06
AL-20M*-D	8 Kanäle: I01 - I08
Analogeingangsbereich	0 - 250
Auflösung	10000/250 mv
Wandlergeschwindigkeit	10 ms
Eingangsspannung	0 - 10 V DC
Eingangsimpedanz	150 kOhm oder höher
Genauigkeit	+/- 5% (0,5 V DC)
Offset/Gain	Offset-Wert = 0 bei 0 V DC Gain-Wert: 0 - 10V = 0 - 250 Diese voreingestellten Werte können im Funktionsblock Offset geändert werden.
Temperaturabweichung	+/- 3 LSB

GER

2.4 Ausgänge

Tabelle 2.6: Technische Daten der Relais-Ausgänge

Beschreibung	Technische Daten
Einschaltspannung	250 V AC~ oder weniger, 30 V DC oder weniger
Max. Widerstandslast	8A / gemeinsam (10A / gemeinsam für Ausgänge 110V AC~)
Lebenszyklus / ohmsche Last	100000 Zyklen bei 8 A / 240 V AC~ oder 24 V DC 30000 Zyklen bei 10 A / 110 V AC~
Minimale Last	50 mW (10 mA bei 5 V DC)
Max. induktive Last	245 VA (1/3 hp) / 125 VAC~, 367 VA (1/2 hp) / 250 VAC~
Ansprechzeit	10 ms oder weniger
Betriebsanzeige	LCD-Anzeige
Schaltkreis isolation	über Relais

GER

Tabelle 2.7: Technische Daten der Transistor-Ausgänge (nur Source-Typ)

Beschreibung	Technische Daten
Einschaltspannung	5 - 24 V DC
Max. Widerstandslast	1A / Klemme (8 - 24 V DC), 0,1A / Klemme (5 - 8V DC)
Minimale Last	1,0 mA
Max. induktive Last	1 A / 24 V DC (24 W)
Max. Lampenlast	0,125 A / 24 V DC (3,0 W)
Ansprechzeit Ein/Aus, Aus/Ein (circa)	≤ 1 ms
Leckstrom	$\leq 0,1$ mA / 24 V DC
Betriebsanzeige	LCD-Anzeige
Schaltkreis isolation	keine

2.5

Umgebungsbedingungen

Tabelle 2.8: Umgebungsbedingungen

Beschreibung	Technische Daten
Programmiermethode	Funktionsblock-Methode
Programmkapazität	64 Funktionsblöcke oder 1500 Bytes
Programmspeicherung	EEPROM (keine Batterie erforderlich) oder optionale EEPROM-Kassette
Operandensicherung, Echtzeituhr-Backup	20 Tage bei 25°C (Kondensator)
Genauigkeit Echtzeituhr	5 s/Tag
Betriebstemperatur	0 - 55 °C
Lagertemperatur	(-30) - 70 °C
Vibrationsfestigkeit Direkte Montage	entspricht IEC 68-2-6; 10-57 Hz: 0,15 mm Konstante Amplitude 57-150 Hz: 19,6 m/s ² Beschleunigung Ablenkzyklus X,Y,Z: 10 x (80 min. in alle 3 Richtungen)
Vibrationsfestigkeit DIN-Schienen-Montage	entspricht IEC 68-2-6; 10-57 Hz: 0,075 mm Konstante Amplitude 57-150 Hz: 9,8 m/s ² Beschleunigung Ablenkzyklus für X,Y,Z: 10 x (80 min. in alle 3 Richtungen)
Stoßfestigkeit	entspricht IEC 68-2-27: 147m/s ² Beschleunigung, Aktionszeit: 11 ms 3 x in alle 3 Richtungen X,Y und Z
Störspannungsfestigkeit	1000Vpp, 1 Mikrosek., 30 - 100 Hz, getestet mit Störspannungssimulator
Luftfeuchtigkeit	35 - 85% Relative Luftfeuchtigkeit, keine Kondensation
Spannungsfestigkeit	3750 V AC > 1 min nach EN60730-1 zwischen den folgenden Klemmen: Spannungs-/Eingangsklemmen und Relais-Ausgangsklemmen Relais-Ausgangsklemme und Relais-Ausgangsklemme Alle Klemmen und der Steuerkasten (DIN 43880) oder ähnliches

GER

Tabelle 2.8: Umgebungsbedingungen

Beschreibung	Technische Daten
Isolationswiderstand	7 MOhm at 500V DC nach EN60730-1 zwischen den folgenden Klemmen: Spannungs-/Eingangsklemmen und Relais-Ausgangsklemmen Relais-Ausgangsklemme und Relais-Ausgangsklemme Alle Klemmen und der Steuerkasten (DIN 43880) oder ähnliches
Wirkungsweise	Table 2.9:EN 60730-1, Abschnitt 6.4.3 - Typ 1C (Relais-Ausgänge)
Wirkungsweise	EN 60730-1, Abschnitt 6.4.3 - Typ 1T (Transistor-Ausgänge)
Software-Klasse	EN 60730-1, Abschnitt H6.18 - Klasse A
Konstruktionsart	EN 60730-1, Abschnitt 6.15 - eingebautes Gerät
Konstruktionsart (elektronisch)	EN 60730-1, Abschnitt H2.5.7 - elektronisches Gerät
Sicherheitsklasse	II
Verschmutzungsgrad	normale Umgebungsbedingungen
Erdung	keine
Elektrische Isolation	Verstärkte Primär- und Sekundärisolation
Umgebungsbedingungen	Umgebungen mit aggressiven Gasen meiden, staubfrei aufstellen
Schutzklasse	IP 20
Zertifizierungen	CE, UL/cUL
Kornformitätsbescheinigung	TÜV (AL-10MT-D, AL-10MR-D)
Tests	UL 508 EN60730-1 EN61010-1 EN50081-1 EN50082-1 EN50082-2
LCD-Anzeige	4 Zeilen mit je 10 Zeichen, Run-Modus, Passwortschutz, Statustabelle und Funktionsblock-Übersicht während der Programmierung

GER

3. Installation

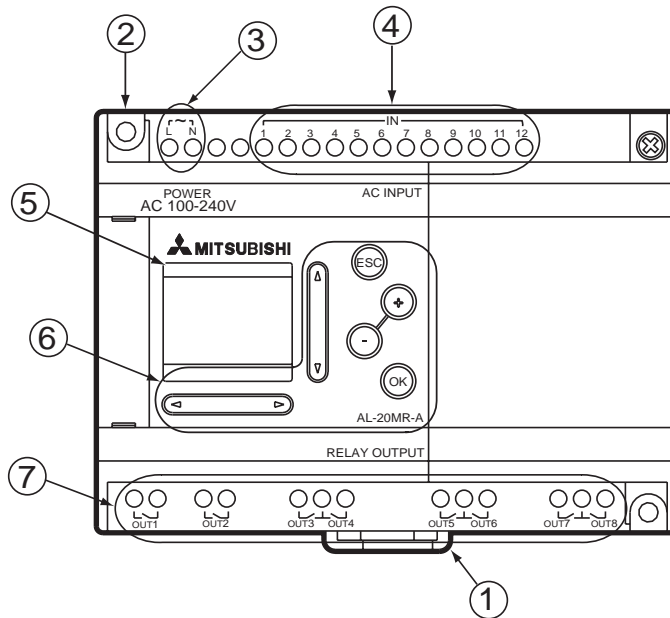


Tabelle 3.1: Gerätebeschreibung

Nr.	Beschreibung
1	DIN-Schienen-Montageklammern
2	Montagebohrung, Durchm. 4,2 mm
3	Spannungsklemmen
4	Eingangsklemmen
5	LCD-Anzeige
6	Bedientasten
7	Ausgangsklemmen

GER

3.1 DIN-Schienen-Montage

Die Geräte können auf einer DIN-Schiene 35 mm (DIN EN 50022) montiert werden. Zur Demontage des Gerätes heben Sie die Schnellbefestigung mit einem Schraubendreher ab, und nehmen Sie das Gerät von der Schiene.

3.2 Schraubklemmenanschluß

Für den Kabelanschluß sind an der α -Steuerung Schraubklemmen vorgesehen.

3.3 Installationshinweise



Die α-Steuerung ist so konzipiert, daß sie nahezu überall eingesetzt werden kann.

Die Geräte dürfen den folgenden Umgebungsbedingungen jedoch nicht ausgesetzt werden: Umgebungen mit einem hohen Grad an leitfähigen Stäuben, Korrosion, entzündbaren Gasen, Nebel, Regen, direkte Sonnenbestrahlung, große Hitze, starke Schockwellen und Vibrationen. Stellen Sie das Gerät nicht ins Wasser, und achten Sie darauf, daß kein Wasser in das Gerät dringt. Achten Sie darauf, daß keine Fremdkörper in das Gerät gelangen.

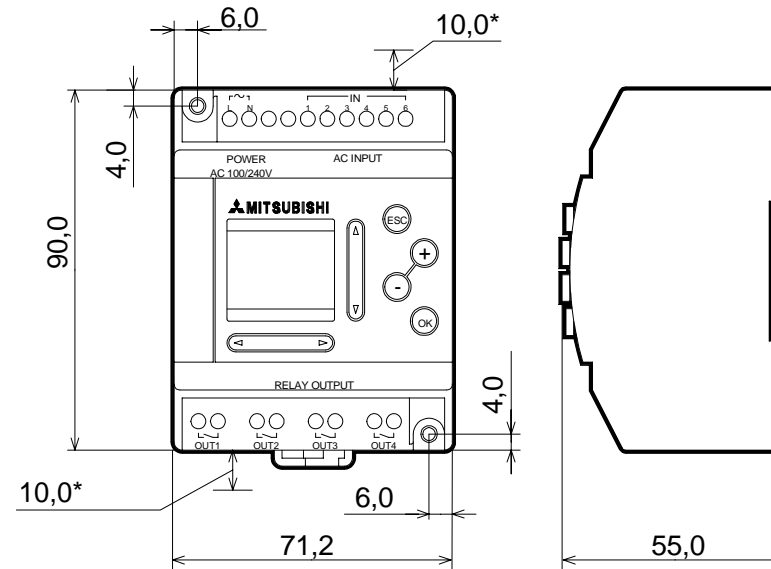
Montieren Sie das Gerät möglichst weit entfernt von Hochspannungskabeln und Stromgeräten.

Die α-Steuerung kann in einen Schaltschrank nach DIN 43880 oder einen Steuerkasten eingebaut werden

Verwenden Sie bei der Montage immer M4-Schrauben.

Die Verbindungen müssen abgedeckt werden, um Stromberührung zu vermeiden.

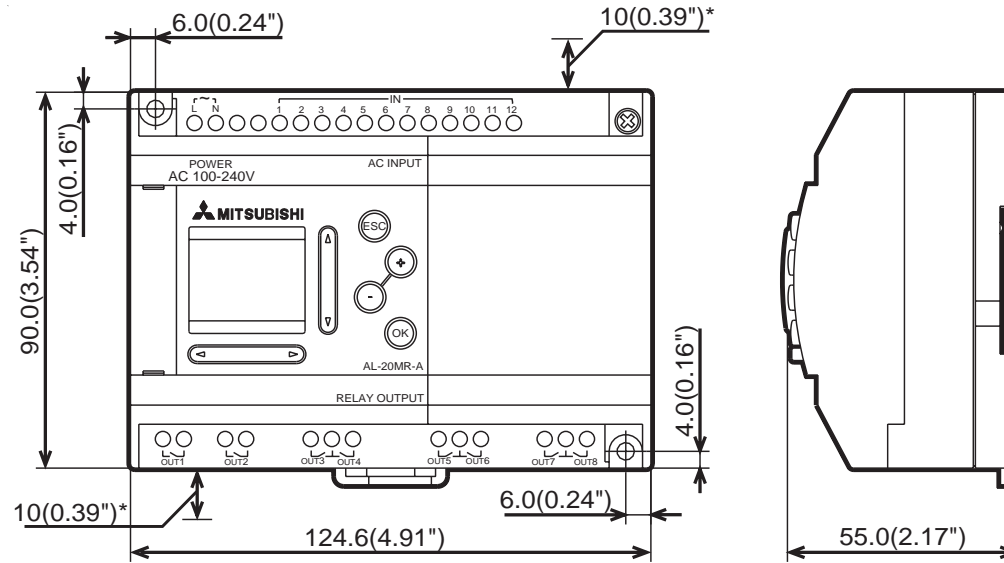
- * Lassen Sie einen Minimalabstand von 10 mm zur Lüftung zwischen Ober- und Unterrand der α-Steuerung und den umgebenden Wänden.



All units in mm

GER

α-Steuerung nicht demontieren. Hinweise, die beim Austausch der Speicherkassette zu beachten sind, finden Sie im Handbuch Speicherkassette.



GER

GER

4. Verdrahtung

4.1 Hinweise zur Installationsverdrahtung



Tie Verdrahtung der α-Steuerung ist denkbar einfach. Nur speziell ausgebildetes Personal darf die elektrische Verdrahtung der Geräte vornehmen. Sollten Sie spezialisierte Unterstützung brauchen, wenden Sie sich an eine anerkannt ausgebildete Elektrofachkraft, die mit den lokalen und nationalen Sicherheitsstandards der Automatisierungstechnik vertraut ist. Stromversorgung abschalten, bevor Sie mit der Verdrahtung beginnen.

- Die Ein- und Ausgangskabel dürfen nicht durch das gleiche Multikernkabel oder den gleichen Kabelbaum verlegt werden.
- Die Ein- und Ausgangskabel dürfen nicht in der Nähe von Hochspannungsleitungen verlegt werden.

Berücksichtigen Sie Spannungsabfälle und Störungen, wenn die Eingangs- und Ausgangssignalkabel über große Entfernungen geführt werden. Stellen Sie sicher, daß für die Kabel die richtigen Kabelgrößen verwendet werden.

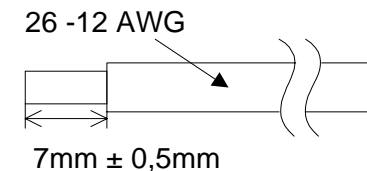
GER

4.2 Kabelgröße und Spezifikationen



Verwenden Sie für die Eingänge und Ausgänge Kabel mit einem Aderquerschnitt von $0,13 \text{ mm}^2 - 3,31 \text{ mm}^2$ (26-12 AWG). Isolieren Sie die Kabelenden auf eine Länge von $7 \pm 0,5 \text{ mm}$. Öffnen Sie die Schraubklemme, bevor Sie ein Kabel einstecken. Stecken Sie das Kabelende komplett in die Schraubklemme, damit eine störungsfreie Verbindung gewährleistet ist. Ziehen Sie die Schraubklemme wieder so fest an, daß das Kabel nicht herausgezogen werden kann. Damit das Kabel nicht beschädigt wird, darf das Anzugsmoment von $0,5 \text{ N}\cdot\text{m}$ ($5 \text{ kgf}\cdot\text{cm}$) nicht überschritten werden. Verwenden Sie weder Zinn noch Lötlmetall oder ähnliche Substanzen auf dem isolierten Kabelende, dadurch kann das Kabel beschädigt werden.

Für die Senkkopfschrauben der Klemmen einen 3mm Schraubendreher verwenden.



4.3 Spannungsversorgung



Beim Anschluß einer Wechselspannung (AC) muß der L-Leiter an die L-Klemme und der N-Leiter an die N-Klemme angeschlossen werden. Der L-Leiter darf niemals mit dem N-Leiter verbunden werden, dies könnte für den Benutzer beim Einschalten des Gerätes zu einem gefährlichen Schock führen.

Beim Anschluß einer Gleichspannung (DC) muß der positive Leiter an die (+)-Klemme und der negative Leiter an die (-)-Klemme angeschlossen werden. Der Anschluß der Spannungsversorgung darf auf keinen Fall an einer anderen Klemme des Gerätes erfolgen. Gleichstromversorgungseinheiten sollten die Steuerung mit 4A versorgen können.

GER

4.4 Empfohlene Verdrahtung der Spannungsversorgung

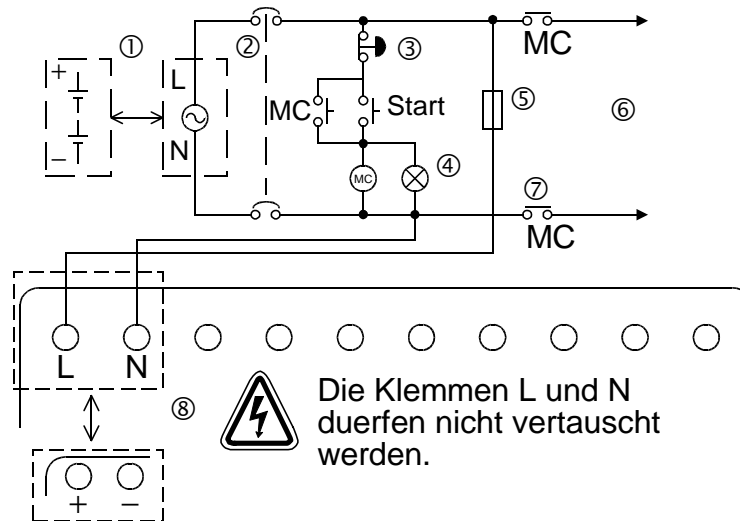


Tabelle 4.1: Spannungsversorgung

Nr.	Beschreibung
1	Spannungsversorgung: AC~:100-240 V 50-60 Hz DC: 24 V
2	Schaltkreis-Schutzgerät
3	NOT-AUS-Schalter
4	Anzeige für Spannung EIN
5	Überlastschutz max. Strom: 1,0 A
6	Spannungsversorgung für AC-Last
7	Magnetschalterkontakt
8	α-Steuerung

4.6 Verdrahtung der Sink-/Source-Eingänge

4.6.1 Source-Eingangsverdrahtung (plusschaltend)

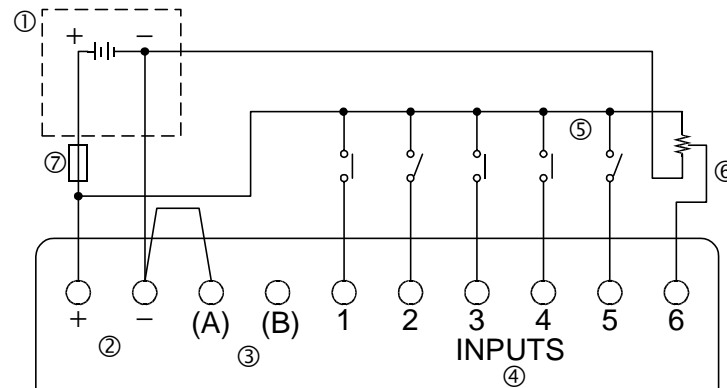
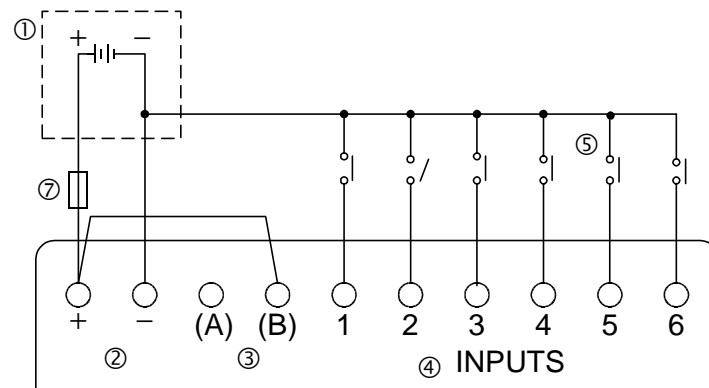


Tabelle 4.3: Sink-/Source-Eingänge

Nr.	Beschreibung
1	DC-Spannungsversorgung: 24 V DC
2	DC-Spannungsklemmen
3	Sink-/Source-Eingangsklemmen
4	Eingangsklemmen
5	Sensor-Eingangsklemmen
6	Analogeingang
7	Überlastschutz max. Strom: 1,0 A

4.6.2 Sink-Eingangsverdrahtung (minusschaltend)



GER

4.7 Relais-/Transistor-Ausgangsverdrahtung
4.7.1 Relais-Ausgangsverdrahtung (AC und/oder DC)

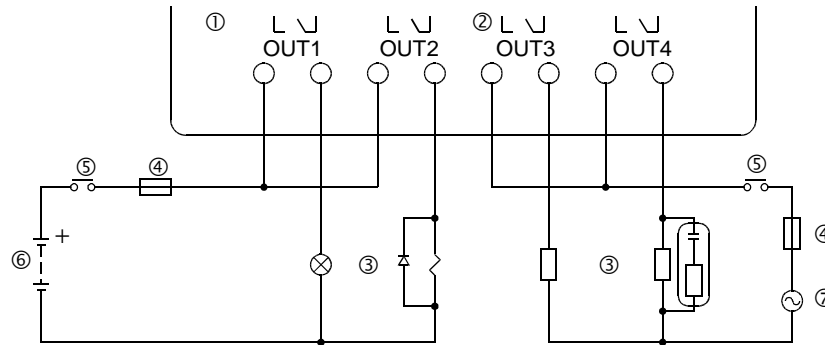


Table 4.4: Relais-Ausgänge

Nr.	Beschreibung
1	α-Steuerung
2	Sich gegenseitig ausschließende Ausgänge
3	Ausgangsgeräte
4	Sicherung: 10 A für jeweils 4 Ausgangsklemmen zum Schutz des SPS-Ausgangsschaltkreises.
5	NOT-AUS-Schalter
6	DC-Spannung
7	AC-Spannung

GER

4.7.2 Transistor-Ausgangsverdrahtung (nur Source - plusschaltend)

GER

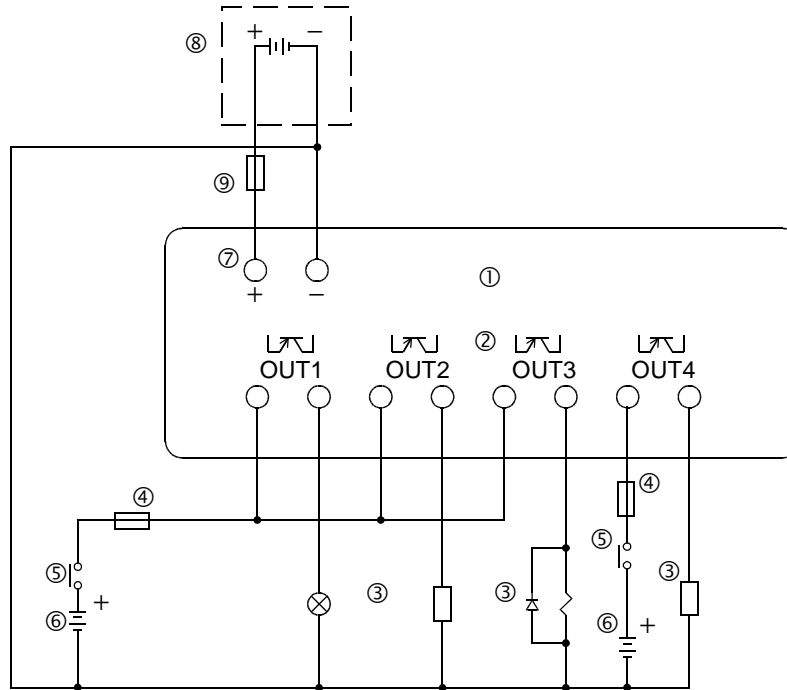


Tabelle 4.5: Transistor-Ausgänge

Nr.	Beschreibung
1	α -Steuerung
2	Ausgangsklemmen
3	Ausgangsgeräte
4	Schaltkreis-Schutzgerät (siehe Tabelle 4.6)
5	NOT-AUS-Schalter
6	DC-Spannungsversorgung für Ausgänge
7	Spannungsklemmen
8	DC-Spannung 24 V DC
9	Überlastschutz max. Strom: 1,0 A

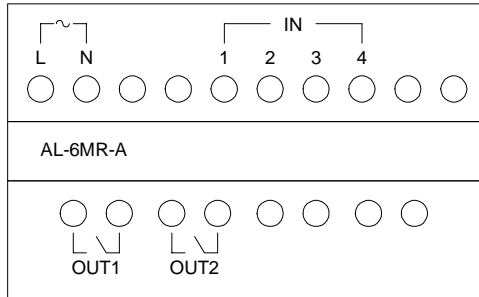
Tabelle 4.6: Schaltkreis-Schutz für Transistor-Ausgänge

Schaltkreis-Spannung	Schaltkreis-Schutz (Sicherung)
5 Volt	$\leq 0,3$ A (Schaltkreis)
12 Volt	$\leq 2,0$ A (Schaltkreis)
24 Volt	$\leq 2,0$ A (Schaltkreis)

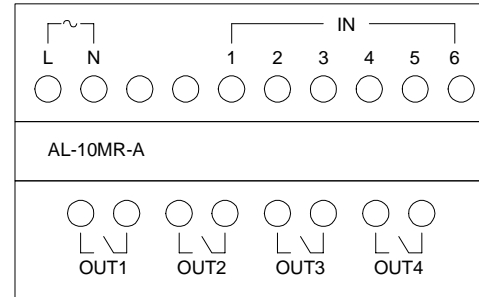
Volt	Hinweise zur Ausgangsklemme
5	Alle Ausgangsklemmen können in einem Schaltkreis verdrahtet werden.
12-24	Alle Ausgangsklemmen können in einem Schaltkreis verdrahtet werden.
5,12,24	Für jeden der drei Spannungsbereiche muß ein separater Schaltkreis realisiert werden.

5. Klemmenbelegungen

AL-6MR-A, AC-Eingang, Relais-Ausgang

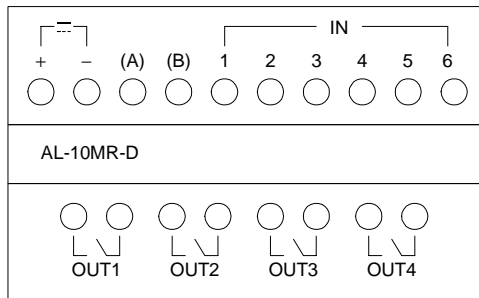


AL-10MR-A, AC-Eingang, Relais-Ausgang

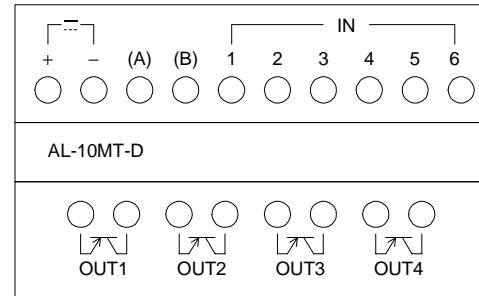


GER

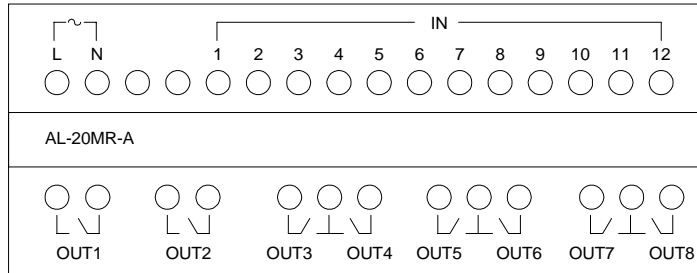
AL-10MR-D, DC-Eingang, Relais-Ausgang



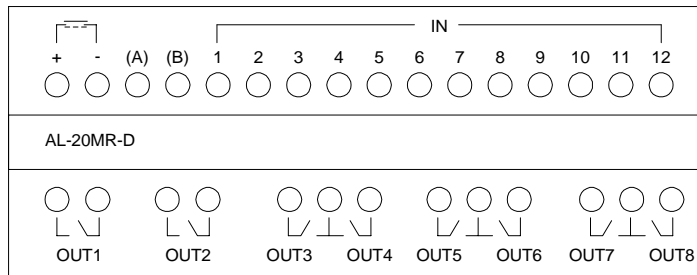
AL-10MT-D, DC-Eingang, Transistor-Ausgang



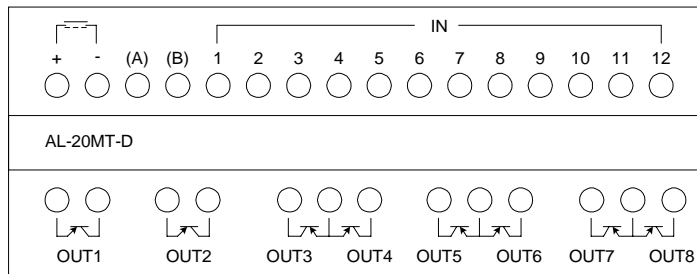
AL-20MR-A, AC-Eingang, Relais-Ausgang



AL-20MR-D, DC-Eingang, Relais-Ausgang



AL-20MT-D, DC-Eingang, Transistor-Ausgang



GER

6. Einstieg in die Programmierung

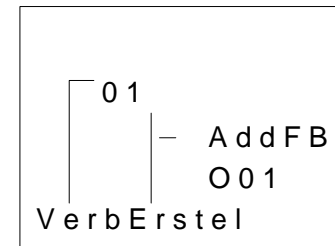
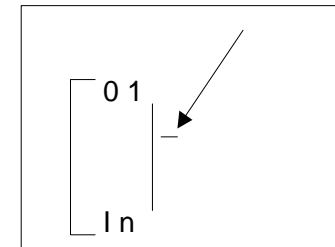
Die α-Steuerung arbeitet mit der Funktionsblock-Programmierung. In dieser Art der Programmierung werden Funktionsblöcke miteinander verbunden und bilden dadurch ein Programm. Sie haben die Auswahl zwischen fünf Funktionsblöcken: Systemeingänge, Funktionstasten der Modulvorderseite, Systemspeicher-Bits, Funktionsblöcke und Systemausgänge.

Beim Einschalten der CPU erscheint ein Eröffnungsbildschirm, in dem Datum, Uhrzeit und Statustabelle (Eingangs- und Ausgangsstatus) angezeigt werden. Betätigen Sie eine beliebige Taste, um in das Hauptmenü zu gelangen. Starten Sie den Programmier-Modus durch Betätigung der OK-Taste, um mit der Programmierung zu beginnen.

6.1 Verbinden von zwei Blöcken

Funktionsblöcke (FB) werden miteinander verbunden, indem man einen Ausgangspin mit einem freien Eingangspin verbindet. Der Pfeil zeigt in Richtung des Ausgangspins. Der Ausgangspin befindet sich immer auf der rechten Seite des Funktionsblocks. Freie Eingangspins sind mit einem „>“ gekennzeichnet, wohingegen belegte Eingangspins mit einem gefüllten Dreieck dargestellt werden. Betätigen Sie die rechte Cursortaste, um das Bildschirmfenster nach rechts zu verschieben, bis der Ausgangspin blinkt. Betätigen Sie die Taste „+“ zur Herstellung einer Verbindung mit einem Funktionsblock. Die Taste „-“ dient zum Trennen zweier Operanden.

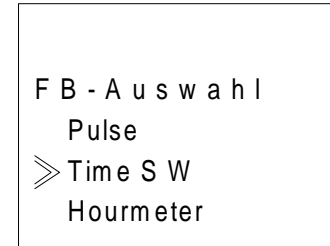
Betätigen Sie die Taste „+“. Die FB-Optionen, die für eine Verbindung zur Verfügung stehen, werden im rechten Teil des Bildschirms angezeigt. Über die Cursortasten HOCH und RUNTER wählen Sie einen hinzuzufügenden Operanden. Die aktuelle Auswahl wird blinkend dargestellt. Die Anzeige „VerbErstell“ erscheint im oberen oder unteren Bereich des Bildschirms. Wählen Sie den gewünschten Verbindungsblock über die OK-Taste



GER

Eingänge, Tasten, Speicher-Bits, Funktionsblöcke und Ausgänge zeigen automatisch an, ob Sie verbunden werden können. Funktionsblöcke müssen während der Programmierung hinzugefügt werden.

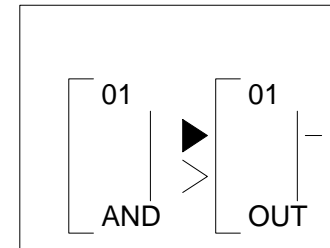
Zum Hinzufügen eines neuen FBs, wählen Sie „Neuer FB“. Das Menü „Neuer FB“ zeigt eine Liste mit 22 Funktionsblöcken (siehe auch die Erläuterung der Funktionsblöcke am Ende dieses Kapitels). Wählen Sie den gewünschten Funktionsblock über die OK-Taste.



GER

Wählen Sie einen freien („>“) Eingangspin, und betätigen Sie OK. Die Anzeige „VerbErstell“ sollte am Bildschirm erlöschen – die beiden Funktionsblöcke sind nun miteinander verbunden!

Ausgangspins können mit mehreren Eingangspins verbunden werden. Eingangspins können jedoch nur jeweils eine Verbindung haben.

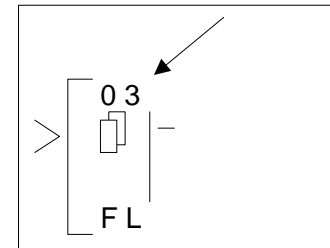


6.2 Bearbeitung von Blöcken

Wenn die FB-Adresse blinkt, können Sie über die Tasten „+“ und „-“ zu weiteren Blöcken in aufsteigender oder abfallender Reihenfolge scrollen.

Beispiel: Die Eingangsadresse 03 blinkt in der Anzeige. Durch Betätigung der Taste „+“ können Sie den Bildschirm zur Eingangsadresse 04 scrollen. Eingänge, Ausgänge, Tasten und Speicher-Bits können so angesprochen werden.

Sie können über die gleiche Vorgehensweise auch die Funktionsblöcke ansprechen, aber nur die im Programm verwendeten Funktionsblöcke.



6.3 Einstellung der Funktionsblockparameter

Einige Funktionsblöcke verfügen über Parameter, die eingestellt werden müssen. Zu diesen Parametern gehören die Zeit (T), die abgelaufene Zeit (t), die Sollzahl-Wiederholungen (N), die Istzahl-Wiederholungen (n), die Setzen/Rücksetzen-Priorität und weitere.

Wählen Sie einen FB über die Cursortasten. Wenn die FB-Adresse blinkt, betätigen Sie zweimal OK, um in den FB-Einstellmodus zu gelangen. Stellen Sie die Optionen entsprechend der Programmerfordernisse ein (siehe auch Tabelle 6.1). *Geben Sie alle erforderlichen Optionen ein, und bestätigen Sie mit OK.*

Einige FB verfügen über mehrere Menüseiten. Verwenden Sie die ESC-Taste, um auf eine höhere Menüseite zu gelangen, ohne den Inhalt in den Systemspeicher zu speichern. Wenn Sie die Dateneingabe abgeschlossen haben, betätigen Sie die ESC-Taste so oft, bis Sie in das Haupt-Programmiermenü zurückgekehrt sind.

```
B 0 3 : F L
    E i n - Z e i t
T =      0 . 0 s
t =      0 . 0 s
```

GER

6.4 Verlassen, Starten und Stoppen des Programms

Betätigen Sie die ESC-Taste, um das Editiermenü aufzurufen (unter Umständen muß die ESC-Taste dazu mehrfach betätigt werden), und verlassen Sie das Editiermenü über die Option „Verlassen“.

```
Editieren
ProgGr.
>> Sprung
Neuer FB
Verlassen
Mnemonic
```

Über den Menüpunkt „Run“ starten Sie das Programm. Bestätigen Sie mit OK. Während das Programm abgearbeitet wird, zeigt der Monitor die Uhrzeit, das Datum und die Statustabelle.

Zum Aufruf des Hauptmenüs, in dem der Stopp-Befehl angeboten wird, betätigen Sie eine beliebige Taste. Wählen Sie diesen Befehl zum Stoppen des Programms, und bestätigen Sie mit OK.

```
Hauptmenue
R u n
Editieren
>> PrgLoesch
UhrSetzen
L A N G U A G E
Weitere
```

Weitere Menüpunkte sind:

„Uhr setzen“ - Einstellung der Echtzeituhr

„LANGUAGE“ (Sprache) - Wählen Sie Englisch, Japanisch, Deutsch, Französisch, Italienisch oder Spanisch

„Prg Loesch“ - Löscht den gesamten Programmspeicher, Programme und Daten!

„Weitere“ - Bietet weitere Optionen zur Versionsprüfung, Passwortvergabe, Umstellung auf Sommerzeit, Modeminitialisierung und Menütastenbetrieb.

GER

Tabelle 6.1: Tastennummern und Hauptfunktionen

Tastennummer	Tasten-Hauptfunktion
K01	OK: Bestätigung bei Dateneingabe, Menüoptionen oder Programmwahl
K02	ESC: Abbruch des aktuellen Vorgangs, Wechsel zu einer höheren Bildschirmanzeige oder einem höheren Menü
K03	„+“: Verbinden von zwei Funktionsblöcken, Wechsel zu höheren Programmblöcken, Vergrößern von Werten
K04	„-“: Trennen von zwei Funktionsblöcken, Wechsel zu niedrigeren Programmblöcken, Verringern von Werten
K05	Hoch (G): Nach oben scrollen (Tasten, FB, Eingänge, Ausgänge, etc.)
K06	Runter (H): Nach unten scrollen (Tasten, FB, Eingänge, Ausgänge, etc.)
K07	Rechts (E): Auf der LCD-Anzeige, im FB-Programm oder bei einem Sprungbefehl nach rechts scrollen
K08	Links (F): Auf der LCD-Anzeige, im FB-Programm oder bei einem Sprungbefehl nach links scrollen

GER

Tabelle 6.2: Funktionsblöcke

Funktionsblock	Byte	Beschreibung
AND	19	Ausgang EIN, wenn alle Eingänge EIN sind, freie Eingänge werden wie EIN verarbeitet
OR	19	Ausgang EIN, wenn mindestens ein Eingang EIN ist, freie Eingänge werden wie AUS verarbeitet
XOR	13	Exclusive OR; Ausgang EIN, wenn einer von zwei Eingängen EIN ist
NAND	19	Not AND; Ausgang AUS, wenn alle Eingänge EIN sind, freie Eingänge werden wie EIN verarbeitet
NOR	19	Not OR; Ausgang AUS, wenn mindestens ein Eingang EIN ist, freie Eingänge werden wie AUS verarbeitet
NOT	10	Invertierung eines Signals, Wechsel von EIN nach AUS und umgekehrt
BOOLEAN	*	Logische Anweisung mit AND, OR, XOR und NOT
SET/RESET	14	Erzwungenes Setzen oder Rücksetzen eines Merkers, Zuweisen einer Priorität für Setzen oder Rücksetzen
DELAY	19	Verzögerung eines Signals bei steigender/fallender Flanke oder bei beiden
ONE SHOT	17	Senden eines einzelnen Impulses; in Anhängigkeit von Zeit oder Signal, Rücksetz-Pin kann verwendet werden
PULSE	10	Senden eines Signals bei steigender/fallender Flanke oder bei beiden
FLICKER	19	Senden einer Impulskette; EIN/AUS-Zeiten, Wiederholung, Dauer oder kontinuierlicher Betrieb
ALTERNATE	13	Der Ausgang wechselt zwischen EIN und AUS mit jedem Eingangsimpuls
COUNTER	16	Aufwärts-Impulzzähler, Rücksetzen über Sollwert oder Signal
U/D Counter	TBD	Aufwärts- und Abwärts-Zähler mit Sollwert-Eingabe und Löschfunktion

GER

Tabelle 6.2: Funktionsblöcke

Funktionsblock	Byte	Beschreibung
COMPARE	17	Vergleich zweier Werte über <, >, =, <=, >=, <> (Analogwerte, direkt gesetzte Istwerte oder FB-Werte)
TIME SW	*	Verwendung der Echtzeituhr zum Setzen/Rücksetzen eines Ausgangs; kalendarische oder wöchentliche Steuerung
OFFSET	22	Manipulation analoger Werte; $y = A / B * x + C$; oberen und unteren Grenzwert setzen
DISPLAY	*	Anzeige von Kommentaren oder Daten auf der LCD-Anzeige
ZONE CMP	20	Einen Wert mit einem Wertebereich vergleichen (Analogwerte, direkt gesetzte Istwerte oder FB-Werte)
SCHMITT	19	Setzen eines Eingangs bei einem oberen Schwellwert und Zurücksetzen bei einem unteren Schwellwert (oder umgekehrt)
HOURL METER	19	Aufzeichnung der akkumulierten Dauer, die ein Ausgangs- oder Eingangssignal gesetzt ist
System Outputs	10	Steuerung externer Operanden über Relais oder Transistoren

GER

*Die Anzahl der Bytes hängt von den Eingangsdaten ab.

GER

ADVANCED AND EVER ADVANCING **MITSUBISHI ELECTRIC**

MITSUBISHI
SIMPLE APPLICATION CONTROLLER



FRE

MANUEL DU MATÉRIEL
BLOC LOGIQUE α

Bloc logique α

Préface

- Le présent manual contient des textes, des illustrations et des applications pour une installation et une utilisation correctes du bloc logique α . L'utilisateur doit le lire et avoir compris son contenu avant d'installer ou d'utiliser l'appareil.
- Si lors de l'installation des incertitudes persistent, n'hésitez pas à consulter un électricien compétent, qualifié et formé à l'utilisation des normes électriques locales et nationales. Contactez le représentant le plus proche de MITSUBISHI ELECTRIC si la manipulation ou l'utilisation des blocs logiques α vous pose des problèmes.
- Le présent manual est publié sous réserve de modifications. Ces modifications peuvent être apportées sans avis préalable.

FRE

Bloc logique α

Manuel du matériel

No. du manuel : JY992D74201
Indice : H
Date : 10/1999

FRE

Directives de sécurité pour l'utilisateur et mesures de protection pour le bloc logique α

Ce manuel a été conçu pour un personnel formé et qualifié. La qualification est définie par les directives européennes pour machines, basses tensions et CEM. Seul un électricien compétent, qualifié et formé à l'utilisation des normes électriques locales et nationales doit effectuer les travaux de câblage du bloc logique α . Ce manuel utilise différents symboles pour la mise en évidence de certaines informations. Ceci permet de transmettre aux opérateurs toutes les remarques nécessaires aux mesures de sécurité et de protection. En présence de l'un de ces symboles, la remarque correspondante doit être lue et l'information transmise doit être comprise.



1) Désigne un danger imminent susceptible d'entraîner un dommage corporel ou matériel.



2) Désigne un danger éventuel susceptible d'entraîner un dommage corporel ou matériel.

FRE

- MITSUBISHI ELECTRIC décline toute responsabilité pour les dommages imputables à une installation ou à une utilisation incorrecte des appareils ou des accessoires.
- Tous les exemples et illustrations du présent manuel constituent une simple aide à la compréhension du texte. Nous déclinons toute responsabilité pour l'exactitude des opérations de commande représentées. MITSUBISHI ELECTRIC décline toute responsabilité pour une utilisation du produit se réclamant des exemples présentés.
- En raison du nombre important de possibilités d'utilisation diverses de cet appareil, il incombe au client d'adapter celui-ci à son cas d'application particulier.
- Prévoir des dispositifs de sécurité pour déconnecter les périphériques si le bloc logique α ne fonctionne plus.
- En aucun cas n'essayez de réparer le bloc logique α ou d'en remplacer des pièces détachées.
- Installez le bloc logique α conformément aux normes locales et nationales.

Sommaire

Directives de sécurité.....	ii
1. Introduction.....	1
2. Caractéristiques	3
2.1 Modèles disponibles	3
2.2 Alimentation	4
2.3 Entrées.....	6
2.4 Sorties.....	8
2.5 Caractéristiques générales	9
3. Installation.....	11
3.1 Montage sur rail DIN	11
3.2 Bornes à vis	11
3.3 Conseils pour l'installation	12

FRE

4. Câblage.....	15
4.1 Remarques sur le câblage de l'installation	15
4.2 Format et caractéristiques techniques des fils.....	15
4.3 Alimentation	16
4.4 Câblage de l'alimentation recommandée.....	16
4.5 Câblage des entrées CA.....	17
4.5.1 Entrées CA.....	17
4.6 Câblage des entrées Sink/Source	18
4.6.1 Entrées Source (+)	18
4.6.2 Entrées Sink (-).....	18
4.7 Câblage des sorties relais et transistors.....	19
4.7.1 Sorties relais (CA et/ou CC)	19
4.7.2 Sorties transistor (Source ou + Common seulement)	20
5. Occupation des bornes.....	21
6. Mise en route	23
6.1 Connexion de deux blocs.....	23
6.2 Accès aux blocs	24
6.3 Définition des paramètres des blocs fonctions	25
6.4 Quitter, exécuter et interrompre le programme.....	26

FRE

1. Introduction

Simple et convivial, le bloc logique α a été conçu pour être utilisé dans le domaine domestique, les bâtiments, les locaux industriels, partout en quelque sorte. Il offre une fonction de contrôle et de supervision très flexible. Chaque module permet de lire des signaux et de définir des sorties selon les conditions particulières ou des durées définies par l'utilisateur. L'affichage intégré programmable permet de consulter à tout moment l'état du système.

Les particularités du bloc logique α :

- Programmation directe (sur l'appareil)
- Pouvoir de coupure des sorties élevé
- Faible encombrement
- Port de programmation facile d'accès
- Cassette EEPROM pour stocker un programme
- Horloge temps réel intégrée
- Logiciel de programmation sous Windows, AL-PCS/Win-E
- Documentation de mise en oeuvre et de formation complète

Le bloc logique α est conçu pour contrôler les automatismes suivants: éclairage, climatisation, irrigation, portes, portails, systèmes de sécurité simples, serres, ventilateurs, etc. L'horloge temps réel peut être utilisée comme dispositif d'économie d'énergie, permettant d'allumer et d'éteindre automatiquement les appareils selon un horaire prédéfini.

Débuguer minutieusement les programmes avant l'installation dans l'équipement automatisé. La série α n'est pas conçue pour être utilisée dans des applications opérationnelles critiques ou à sécurité relative.

Contactez votre fournisseur pour obtenir de plus amples informations.

FRE

FRE

2. Caractéristiques

2.1 Modèles Disponible.

Tableau 2.1: Description des types

Modèle	Alimentation en courant	Entrées		Sorties		Dimensions mm	Poids kg
		Type	No.	Type	No.		
AL-6MR-A	100 - 240V CA ~	100 - 240V CA~	4	RELAIS	2	71,2 x 90 x 55	0,2
AL-10MR-A			6	RELAIS	4		
AL-10MR-D	24V CC	24V CC Sink/Source	6	RELAIS	4		
AL-10MT-D			6	TRANSISTOR	4		
AL-20MR-A	100 - 240V CA~	100 - 240V CA~	12	RELAIS	8	124,6 x 90 x 55	0,32*
AL-20MR-D	24V CC	24V CC Sink/Source	12	RELAIS	8		
AL-20MT-D			12	TRANSISTOR	8		

*Sans modules fonctionnels spéciaux

FRE

2.2 Alimentation

Tableau 2.2: Caractéristiques alimentation

Description	Modèle	Données techniques
Alimentation en courant	AL-***-A	100 - 240V CA~, +10% -15%, 50 - 60 Hz
	AL-***-D	24V CC, +20% -15%
Temps maximal d'absence de courant autorisé	AL-***-A	10ms
	AL-***-D	5ms
Valeurs de pointe de l'intensité	240V CA~ (120V CA~)	$\leq 1,5$ A (0,7 A)
	24 V CC	$\leq 7,0$ A
Puissance absorbée max. (Sans modules fonctionnels spéciaux)	AL-6MR-A, 264V CA~	3,0 W
	AL-10MR-A, 264V CA~	4,0 W
	AL-10MR-D, 28,8V CC	3,0 W
	AL-10MT-D, 28,8V CC	2,0 W
	AL-20MR-A, 264V CA~	8,0 W
	AL-20MR-D, 28,8V CC	7,0 W
	AL-20MT-D, 28,8V CC	5,0 W

FRE

Tableau 2.2: Caractéristiques alimentation

Description	Modèle	Données techniques
Puissance absorbée typ. (Sans modules fonctionnels spéciaux)	AL-6MR-A, 240V CA~	E/S „1“ - 2,5 W, E/S „0“ - 1,5 W
	AL-6MR-A, 120V CA~	E/S „1“ - 2,0 W, E/S „0“ - 1,2 W
	AL-10MR-A, 240V CA~	E/S „1“ - 3,0 W, E/S „0“ - 1,5 W
	AL-10MR-A, 120V CA~	E/S „1“ - 2,5 W, E/S „0“ - 1,2 W
	AL-10MR-D, 24V CC	E/S „1“ - 2,0 W, E/S „0“ - 0,3 W
	AL-10MT-D, 24V CC	E/S „1“ - 2,0 W, E/S „0“ - 0,3 W
	AL-20MR-A, 240V CA~	E/S „1“ - 5,0 W, E/S „0“ - 1,5 W
	AL-20MR-A, 120V CA~	E/S „1“ - 4,0 W, E/S „0“ - 1,2 W
	AL-20MR-D, 24V CC	E/S „1“ - 5,0 W, E/S „0“ - 0,3 W
	AL-20MT-D, 24V CC	E/S „1“ - 5,0 W, E/S „0“ - 0,3 W

FRE

2.3 Entrées

Tableau 2.3: Données techniques des entrées CA

Description	Données techniques
Tension d'entrée	100 - 240V CA~, +10% -15%, 50 - 60 Hz
Courant d'entrée	0,24mA / 240V CA~, Voir remarque 1*
Impédance d'entrée	≥ 800 kOhm
Signal 0 -> Signal 1 / Signal 1 -> Signal 0	80V/40V
Temps de réponse	~ 50ms
Isolement du circuit	Non
Affichage de service	Affichage à cristaux liquides

FRE

Tableau 2.4: Données techniques des entrées CC

Description	Sink ("-" Common)	Source ("+" Common)
Tension d'entrée	24V CC +20% -15%	24V CC +20% -15%
Courant d'entrée	5,0 mA	5,0 mA
Signal 0 -> Signal 1 Signal 1 -> Signal 0	Courant: $\geq 4,3$ mA / $\leq 1,1$ mA Tension: ≤ 4 V / ≥ 18 V	Tension: ≥ 18 V / ≤ 4 V
Temps de réponse (I01 - I08)	10 - 20 ms	10 - 20 ms
Temps de réponse (I09 - I12)	20 - 40 ms	20 - 40 ms
Isolement du circuit	Non	Non
Affichage de service	Affichage à cristaux liquides	

*Remarque 1 – La perte de courant depuis les capteurs connectés aux entrées peut fournir assez de courant pour commuter le contrôleur sur ON. Ne pas connecter deux capteurs câblés aux terminaux d'entrée.

Tableau 2.5: Données techniques des entrées analogiques

Description	Données techniques
AL-10M*-D	6 canaux: I01 - I06
AL-20M*-D	8 canaux: I01 - I08
Gamme d'entrées analogiques	0 - 250
Résolution	10000/250 mv
Vitesse de conversion	10 ms
Tension d'entrée	0 - 10V CC
Impédance d'entrée	150 kOhm ou plus
Précision générale	+/- 5% (0,5V CC)
Offset/Gain	Valeur Offset = 0 at 0V CC Valeur Gain: 0 - 10V = 0 - 250 Les paramètres par défaut peuvent être modifiés dans le bloc de fonction Offset
Glissement de température	+/- 3 LSB

FRE

2.4 Sorties

Tableau 2.6: Données techniques des sorties relais

Description	Données techniques
Tensions de démarrage	250V CA~ ou moins, 30V CC ou moins
Charge résistive maxi.	8A / en commun (10 A / en commun pour sorties 110V CA~)
Durée de vie des contacts / Résistance	100000 Cycles à 8 A / 240V CA~ ou 24V CC 30000 Cycles à 10 A / 110V CA~
Charge min.	50mW (10mA à 5V CC)
Charge inductive maxi.	245 VA (1/3 hp) / 125 VAC~, 367 VA (1/2 hp) / 250 VAC~
Temps de réponse	10ms ou moins
Affichage de service	Affichage à cristaux liquides
Isolement du circuit	par relais

Tableau 2.7: Données techniques des sorties transistor (Source seulement)

Description	Données techniques
Tensions de démarrage	5 - 24V CC (+ 20%, -5%)
Charge résistive maxi.	1A / borne (8 - 24V CC), 0,1A / borne (5 - 8V CC)
Charge min.	1,0mA
Charge inductive max.	1A / 24V CC (24 W)
Charge d'allumage max.	0,125 A / 24V CC (3,0 W)
Temps de réponse 1 -> 0 / 0 -> 1 (env.)	≤ 1 ms
Courant de fuite	$\leq 0,1$ mA / 24V CC
Affichage de service	Affichage à cristaux liquides
Isolement du circuit	Non

FRE

2.5

Caractéristiques Générale.**Tableau 2.8: Conditions ambiantes**

Description	Données techniques
Méthode de programmation	Bloc de fonction
Capacité du programme	64 blocs de fonction ou 1500 Bytes
Sauvegarde du programme	EEPROM incorporé (pile non nécessaire) ou cassette EEPROM facultative
Sauvegarde des opérandes Sauvegarde de l'horloge temps réel	20 jours à 25°C (par condensateur)
Précision de l'horloge temps réel	5 secondes / jour
Température de fonctionnement	0 - 55 °C
Température de stockage	(-30) - 70 °C
Résistance aux vibrations Montage direct	selon IEC 68-2-6; 10-57 Hz: 0,15 mm amplitude constante 57-150 Hz: 19,6 m/s ² Accélération Nombre de balayages pour X,Y,Z: 10 fois (80 min. dans les 3 directions d'axe)
Résistance aux vibrations Montage sur rail DIN	selon IEC 68-2-6; 10-57 Hz: 0,075 mm amplitude constante 57-150 Hz: 9,8 m/s ² Accélération Nombre de balayages pour X,Y,Z: 10 fois (80 min. dans les 3 directions d'axe)
Résistance aux chocs	selon IEC 68-2-27: 147m/s ² Accélération, temps d'action: 11 ms 3 fois dans les 3 directions d'axe X,Y et Z
Résistance aux tensions parasites	1000Vpp, 1 microseconde, 30 - 100 Hz, testé par simulateur de bruits
Humidité	Humidité relative 35-85%, sans condensation
Rigidité diélectrique	3750V CA > 1 min par EN60730-1 entre les points suivants: Bornes de tension/des entrées et bornes des sorties relais Bornes de des sorties relais et bornes des sorties relais Toutes les bornes et le coffret (DIN 43880) et d'autres

FRE

Tableau 2.8: Conditions ambiantes

Description	Données techniques
Résistance d'isolement	7 Mohm at 500V CC par EN60730-1 entre les points suivants: Bornes de tension/des entrées et bornes des sorties relais Bornes de des sorties relais et bornes des sorties relais Toutes les bornes et le coffret (DIN 43880) et d'autres
Type d'action	EN 60730-1, paragraphe 6.4.3 - Type 1C (Sorties relais)
Type d'action	EN 60730-1, paragraphe 6.4.3 - Type 1T (Sorties transistor)
Classe du logiciel	EN 60730-1, paragraphe H6.18 - Classe A
Construction des commandes	EN 60730-1, paragraphe 6.15 - Commandes intégrées
Pour les commandes électriques	EN 60730-1, paragraphe H2.5.7 - Commandes électriques
Classe de sécurité	II
Degré de pollution	En cas d'utilisation dans un environnement normalement pollué
Prise de terre	Non
Isolation électrique	Isolation primaire et secondaire renforcées
Conditions d'environnement	Eviter les atmosphères chargées en gaz corrosifs, montage à l'abri de la poussière
Protection	IP 20
Certifications	CE, UL/cUL
Déclaration de conformité	TUV (AL-10MT-D, AL-10MR-D)
Conforme au normes suivantes	UL 508, EN60730-1, EN61010-1, EN50081-1, EN50082-1, EN50082-2
Affichage à cristaux liquides	Permettra d'afficher quatre lignes de dix caractères, mode Exécution de programme marche/arrêt, sécurisation par mot de passe, tables d'images et de blocs de fonction durant la programmation.

FRE

3. Installation

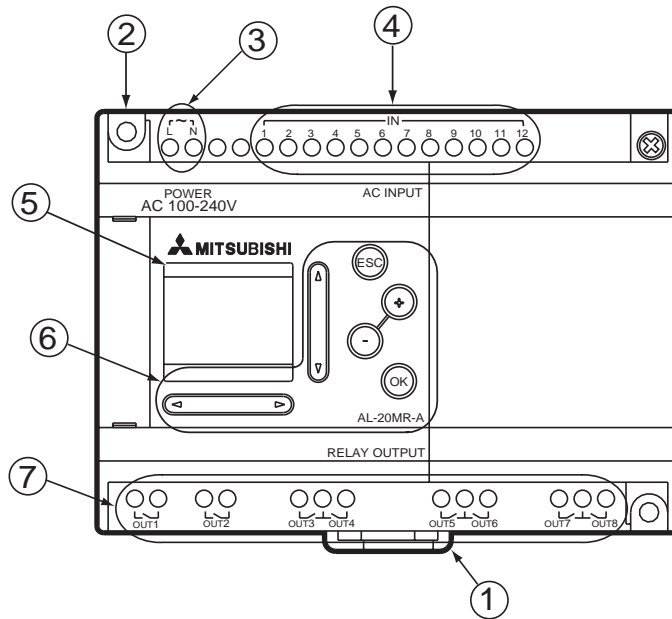


Tableau 3.1: Description de l'appareil

No.	Description
1	Pincettes d'assemblage DIN-RAIL
2	Trou d'assemblage, diam. 4,2 mm
3	Bornes de tension
4	Bornes des entrées
5	Affichage à cristaux liquides
6	Touches des opérations
7	Bornes des sorties

FRE

3.1 Montage sur rail DIN

Les appareils peuvent être montés sur le rail DIN 35 mm (DIN EN 50022) par encochage. Pour le démontage de l'appareil, retirez le dispositif de montage rapide à l'aide d'un tournevis et ôtez l'appareil de son rail.

3.2 Bornes à vis

Des bornes à vis sont prévues pour le câblage de l'appareil. Utilisez des pincettes Crimp isolées pour le raccordement des câbles.

3.3 Conseils pour l'installation



Le bloc logique α a été conçu pour réaliser tous les types d'applications à condition de respecter les points suivants :

Ne pas installer le système dans des endroits dont l'atmosphère est riche en poussières conductrices, en gaz corrosifs ou inflammables. Ne pas l'exposer à l'humidité ou à la pluie, à une chaleur excessive, à des chocs ou à des vibrations importantes. Ne pas le mettre dans l'eau, protéger le contrôleur contre les risques d'infiltration d'eau.

Eviter la chute d'éléments étrangers dans l'appareil pendant l'installation.

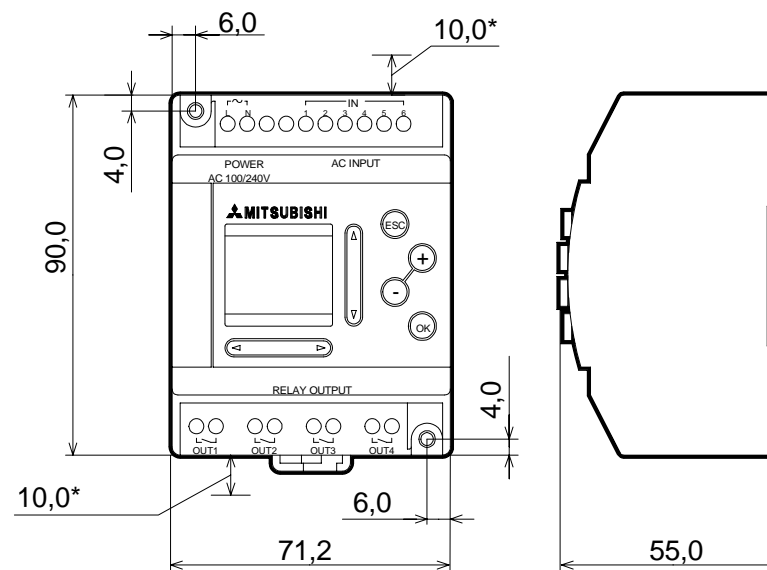
Eloigner autant que possible l'appareil des câbles et équipements haute tension, ainsi que des appareils de puissance.

Le bloc logique α doit être installé dans un coffret conforme à la norme DIN 43880 ou dans un boîtier de commande.

Utilisez des vis M4 pour l'assemblage par trous filetés.

Recouvrir les connecteurs pour éviter de vous blesser en touchant des fils "sous tension".

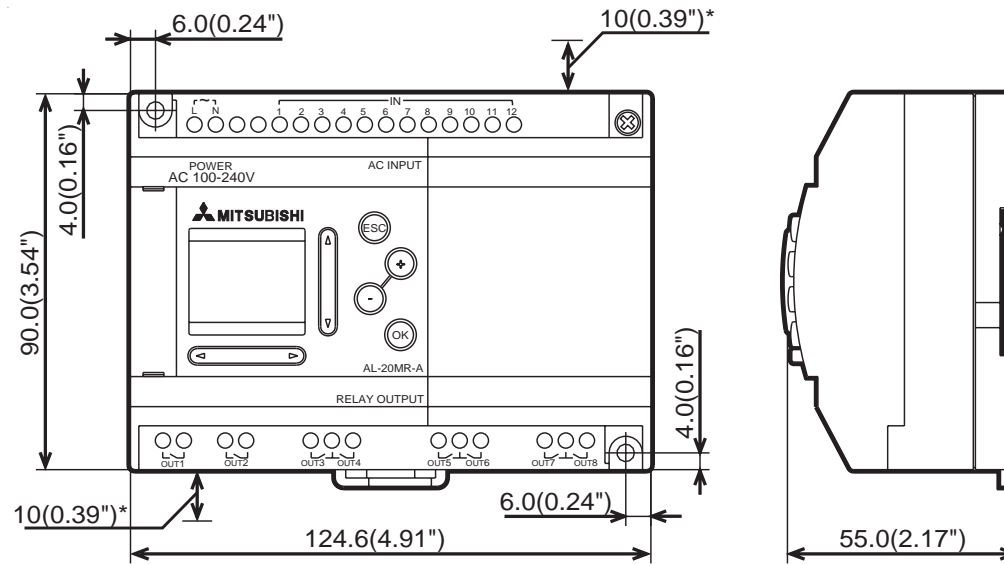
* Laissez au moins 10 mm d'espace pour l'aération entre les bords supérieur et inférieur du bloc logique α et les parois qui le renferment.



All units in mm

FRE

Ne pas désassembler le contrôleur de la série α . Se référer au manuel de la cassette mémoire en remplaçant la cassette mémoire.



FRE

FRE

4. Câblage

4.1 Remarques sur le câblage de l'installation



Le câblage du bloc logique α a été conçu pour être sûr et simple. Toutes les opérations liées au câblage du bloc logique α devraient être effectuées par un technicien ou un ingénieur compétent en matière de normes électriques nationales et locales. Couper le courant avant de procéder à toute opération de câblage.

- Les câbles d'entrée et de sortie ne devraient pas passer par un même câble renfermant plusieurs conducteurs internes ou partager le même fil.
- Ne posez pas les câbles d'entrée/de sortie près des câbles de haute tension.

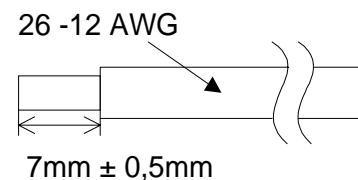
Les longues distances de câbles provoquent des chutes de tension et des perturbations. Utilisez des câbles de taille adaptée à la tension.

4.2 Format et caractéristiques techniques des fils



Raccordez les entrées et les sorties avec des fils de $1,3 \text{ mm}^2$ à $3,31 \text{ mm}^2$ (26-12 AWG). Dénudez les fils sur $7 \pm 0,5 \text{ mm}$. Avant de placer un câble, dévissez la borne au maximum. Insérez la totalité du câble dans la borne, afin que la connexion s'effectue correctement. Insérez le câble puis serrez suffisamment pour que celui-ci ne se retire pas. Pour éviter tout risque d'endommagement, le couple de torsion imprimé ne doit pas être supérieur à $0,5 \text{ N}\cdot\text{m}$ ($5 \text{ kgf}\cdot\text{cm}$). Prohibez l'emploi sur le câble dénudé d'étain, de soudure ou de toute substance susceptible de rompre les fils.

Les terminaux sont conformes pour l'utilisation d'un tournevis à tête conique 3 mm.



FRE

4.3 Alimentation



Lors du branchement à une alimentation courant alternatif (CA), le câble L doit être branché sur la borne L, et le câble N sur la borne N. NE PAS BRANCHER le câble " Live " sur la borne " N ", il y a risque d'électrocution au moment de la mise sous tension.

Lors du branchement à une alimentation à courant continu (CC), le câble positif doit être branché sur la borne (+), et le câble négatif sur la borne (-). Le branchement de l'alimentation ne doit en aucun cas être effectué sur une autre borne de l'appareil. Les unités d'alimentation en courant continu devraient être en mesure de fournir un courant d'une intensité de 4 ampères au contrôleur.

4.4 Câblage de l'alimentation recommandé

FRE

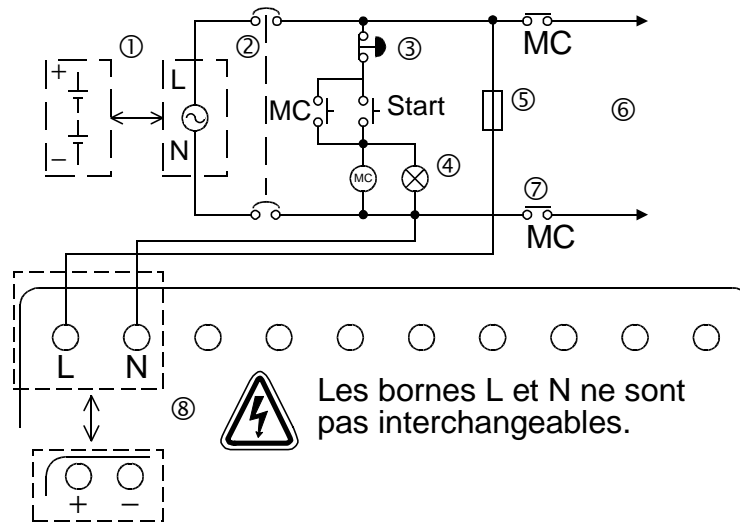


Tableau 4.1: Alimentation

No.	Description
1	Alimentation: CA~:100-240V 50-60Hz CC: 24V
2	Dispositif d'isolement des circuits
3	Interrupteur d'arrêt d'urgence
4	Indicateur de tension MARCHE
5	Dispositif de protection (1,0 A)
6	Alimentation en courant pour résistance ohmique de CA
7	Contact du commutateur magnétique
8	Bloc logique α

4.5 Câblage des entrées CA

4.5.1 Entrées CA

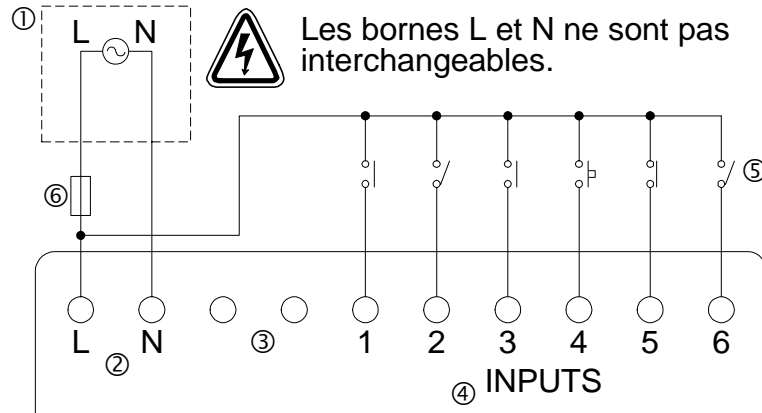


Tableau 4.2: Entrées CA

No.	Description
1	Alimentation CA: 100 - 240V CA~ 50 - 60 Hz
2	Bornes de tension CA
3	Bornes non utilisées
4	Bornes des entrées
5	Commutateurs d'entrée numérique
6	Dispositif de protection (1,0 A)

FRE

4.6 Câblage des entrées Sink/Source

4.6.1 Entrées Source (+)

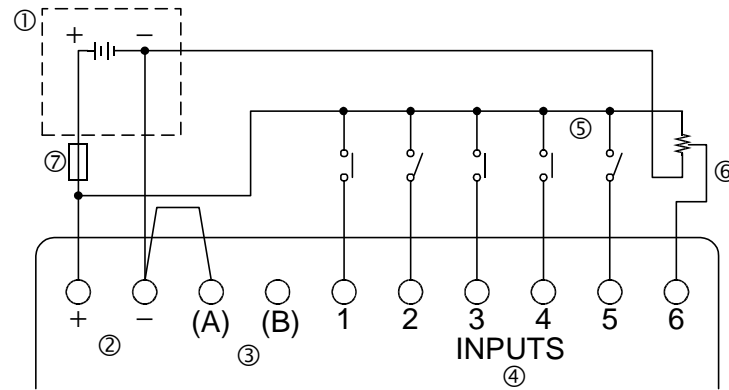
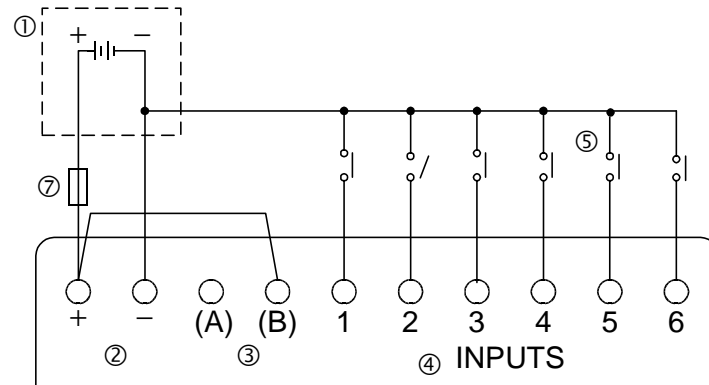


Tableau 4.3: Entrées Sink/Source

No.	Description
1	Alimentation CC: 24V CC
2	Bornes de tension CC
3	Bornes des entrées Sink/Source
4	Bornes des entrées
5	Commutateurs d'entrée du capteur
6	Entrée analogique
7	Dispositif de protection (1,0 A)

FRE

4.6.2 Entrées Sink (-)



4.7 Câblage des sorties relais et transistors

4.7.1 Sorties relais (CA et/ou CC)

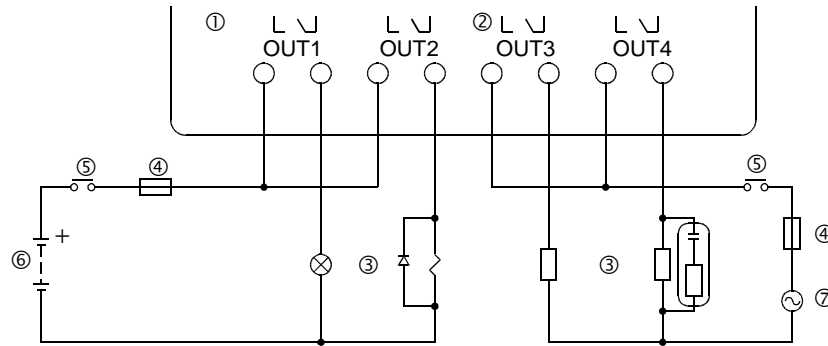


Tableau 4.4: Sorties relais

No.	Description
1	Bloc logique α
2	Sorties s'excluant l'une l'autre
3	Dispositifs de sortie
4	Fusible: 10 A pour 4 bornes de sortie comme protection du circuit de commutation de sortie API
5	Interrupteur d'arrêt d'urgence
6	Tension CC
7	Tension CA

FRE

4.7.2 Sorties transistor (source ou "+" Common seulement)

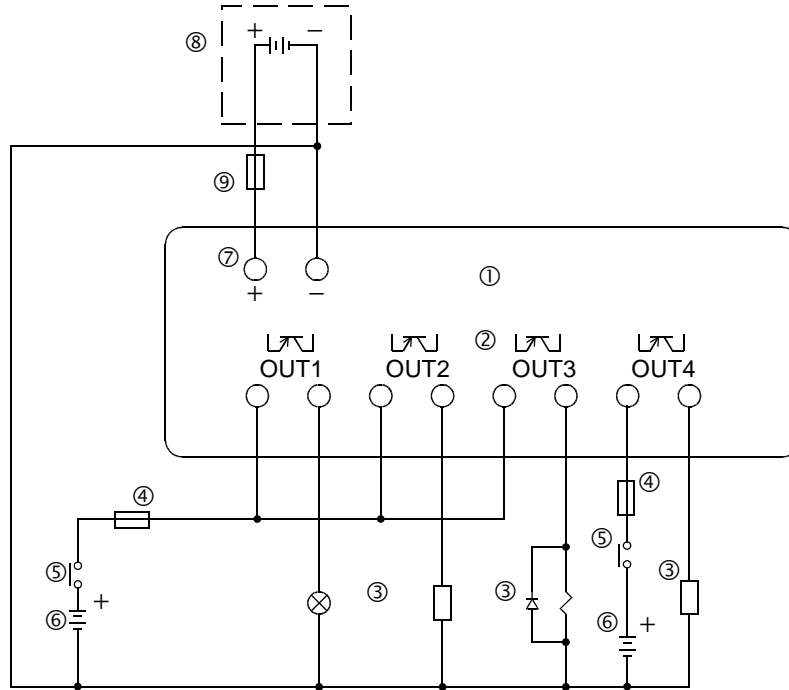


Tableau 4.5: Sorties transistor

No.	Description
1	Bloc logique α
2	Bornes de sorties
3	Dispositifs de sortie
4	Dispositif de protection cf. le tableau 4.6
5	Interrupteur d'arrêt d'urgence
6	Alimentation CC pour sorties
7	Bornes de tension
8	Alimentation CC, 24V CC
9	Dispositif de protection (1,0 A)

Tableau 4.6: Protection pour sorties transistors

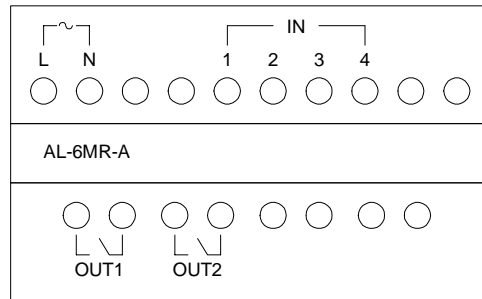
Circuit	Protection du circuit (fusible)
5 Volt	$\leq 0,3$ A par circuit
12 Volt	$\leq 2,0$ A par circuit
24 Volt	$\leq 2,0$ A par circuit

Volt	Bornes de sorties
5	Chaque circuit contient de une à toutes les bornes de sortie.
12-24	Chaque circuit contient de une à toutes les bornes de sortie.
5, 12, or 24	Il est possible d'utiliser toutes les combinaisons possibles de sorties 5 volt, 12 volt et 24 volt sur un même contrôleur de la gamme α à condition d'utiliser des circuits séparés pour chaque niveau de tension.

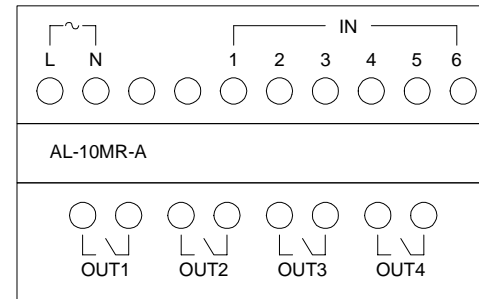
FRE

5. Occupation des bornes

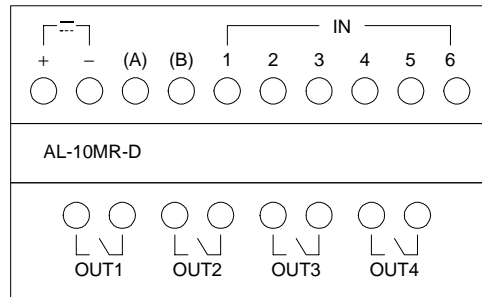
AL-6MR-A, Entrée CA, Sortie relais



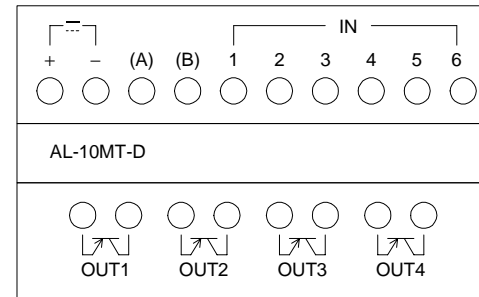
AL-10MR-A, Entrée CA, Sortie relais



AL-10MR-D, Entrée CC, Sortie relais

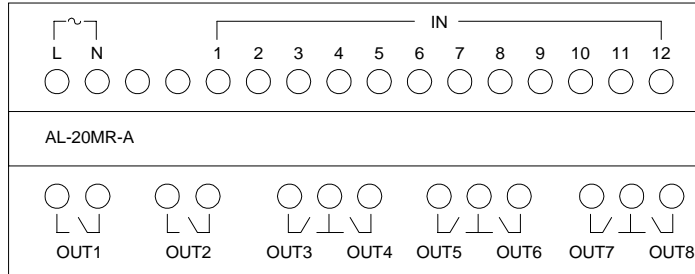


AL-10MT-D, Entrée CC, Sortie transistor

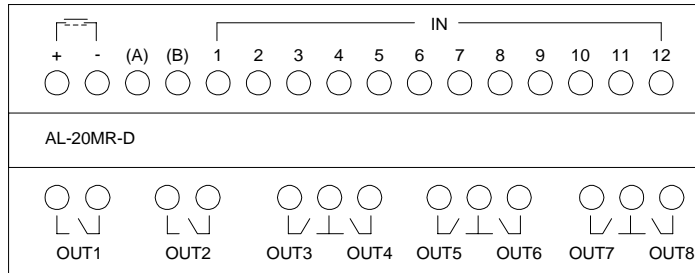


FRE

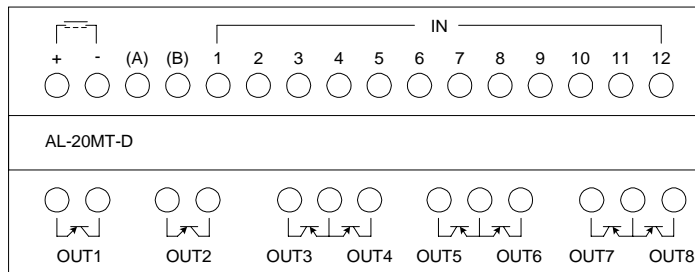
AL-20MR-A, Entrée CA, Sortie relais



AL-20MR-D, Entrée CC, Sortie relais



AL-20MT-D, Entrée CC, Sortie transistor



FRE

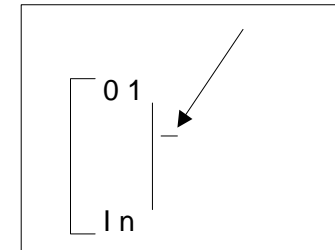
6. Mise en route

Le bloc logique α utilise le langage blocs fonctionnels. Dans ce type de programmation, les blocs fonctions sont connectés entre eux, afin de constituer un programme. Il existe cinq types de blocs pouvant être assemblés dans un programme : les entrées système, les touches du panneau avant, les bits mémoire système, les blocs fonctions et les sorties système.

Un écran affichant la date, l'heure et la table des images (état des entrées et des sorties) indique à quel moment le contrôleur est mis en marche. Appuyez sur une touche quelconque pour parvenir à l'écran Menu Princ. Utilisez la touche OK pour entrer en mode EditProg et commencer à écrire le programme.

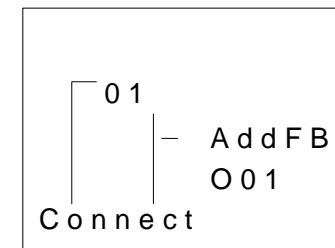
6.1 Connexion de deux blocs

Pour connecter les blocs fonctions (FB), il faut relier une broche sortie à une broche entrée inutilisée. La sortie est toujours indiquée sur le côté droit des blocs fonctions. Les entrées inutilisées sont repérées par le signe « > », alors que les entrées occupées sont représentées symboliquement par des triangles. Appuyez sur la flèche de direction droite pour déplacer l'écran vers la droite jusqu'à ce que la broche de sortie clignote. Utilisez la touche « + » pour tracer la connexion ou pour « ajouter » un bloc fonction. La touche « - » permet de déconnecter deux éléments.



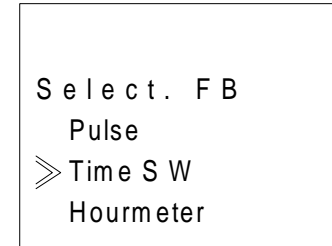
FRE

Appuyez sur la touche « + ». Les options des blocs fonctions pouvant être connectés apparaissent sur la partie droite de l'écran. Utilisez les flèches de direction vers le haut et vers le bas pour atteindre l'élément à ajouter. L'élément actuellement sélectionné clignote. Un message « Connect » apparaît dans la partie inférieure ou bien supérieure de l'écran. Sélectionnez le bloc connecté à l'aide la touche OK.



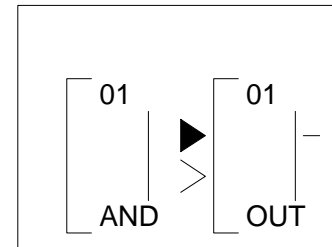
Les entrées, les touches, les bits, les blocs fonctions et les sorties sont automatiquement visibles lorsque leur connexion est possible. Les blocs fonctions doivent être ajoutés au fur et à mesure de la programmation.

Pour ajouter un nouveau bloc fonction, sélectionnez la commande AddFB. Le menu affiche alors une liste de 22 blocs fonctions (cf. la description des blocs fonctions à la fin de ce chapitre). Sélectionnez le bloc approprié à l'aide de la touche OK.



Choisissez une entrée inoccupée (« > ») et saisissez OK. L'invite « Connect » devrait disparaître de l'écran - les deux blocs fonctions sont maintenant interconnectés!

Les broches de sortie peuvent être connectées à plusieurs broches d'entrées, mais les entrées ne peuvent accepter qu'une seule connexion.



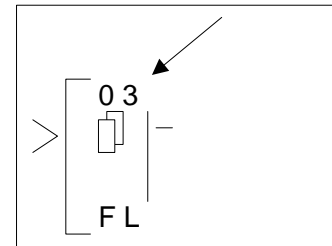
FRE

6.2 Accès aux blocs

Lorsque le numéro du bloc fonction clignote, utilisez les touches « + » et « - » pour faire défiler l'écran vers les blocs numérotés adjacents.

Exemple : le numéro d'entrée 03 clignote à l'écran. Une pression sur la touche « + » permet de faire défiler l'écran vers le numéro d'entrée 04. Il est possible d'accéder de cette manière aux entrées, aux sorties, aux touches et aux bits mémoire.

Les blocs fonctions effectuent la même opération, mais ne se déroulent qu'à l'intérieur des blocs fonctions ajoutés au programme.



6.3 Définition des paramètres des blocs fonctions

Certains blocs fonctions sont paramétrables. Parmi ces paramètres, on note le temps (T), le temps écoulé (t), la valeur de consigne pour les répétitions (N), le nombre réel de répétitions (n), les priorités Set/Reset et bien d'autres.

Utilisez les flèches de direction pour atteindre le bloc fonction. Lorsque le numéro du bloc fonction clignote, pressez deux fois OK pour entrer en mode Param FB (configuration du bloc fonction). Modifiez les fonctions selon les besoins du programme (cf. le tableau 6.1). *Saisissez d'abord toutes les données qui conviennent dans tous les écrans, avant de confirmer par OK.*

Certains blocs fonctions disposent d'écrans à options multiples. Utilisez la touche ESC pour accéder à un nouvel écran sans enregistrer le contenu dans la mémoire système. Lorsque vous avez entré toutes les données, utilisez le bouton ESC pour atteindre l'écran du niveau suivant, et ainsi de suite jusqu'à l'affichage de l'écran principal de programmation.

```
B 0 3 : F L
  T p s m a r .
T =      0 . 0 s
t =      0 . 0 s
```

FRE

6.4 Quitter, exécuter et interrompre le programme

Utilisez le bouton ESC pour entrer dans EditProg. Le cas échéant, pressez le bouton de manière répétée. Utilisez l'option Quitter pour quitter EditProg.

Utilisez la fonction Run pour lancer le programme. Confirmez par OK. Lorsque le programme est en cours d'exécution, vous voyez s'afficher l'heure, la date et la table d'images.

Appuyez sur une touche quelconque pour entrer dans l'écran Menu Princ, qui contient l'option Stop. Sélectionnez cette option pour interrompre le programme et confirmez par OK.

```
Edition
VolProg.
>> Saut
Nouv FB
Quitter
Mnemonic
```

```
Menu Princ
R u n
Edit prog
>> Eff prog
Reg. Horl
LANGUAGE
Autres
```

FRE

Les autres options proposées à la sélection sont :

Reg Horl : définition de l'horloge temp réel

LANGUAGE (langage) : sélection possible entre anglais, japonais, allemand, français, italien, espagnol.

Eff. prog : pour effacer complètement la mémoire programme (programmes et données) !

Autres : fournit des options supplémentaires, comme les contrôle de version, la sécurisation par mot de passe, le calendrier des heures d'été, l'initialisation des modems et les opérations par touches de menu

Tableau 6.1: Numéros des touches et opérations de base

No. des touches	Principales touches de fonction
K01	OK : pour confirmer la saisie de données, les options des menus, les sélections de programmes
K02	ESC : pour annuler l'opération en cours, pour changer d'écran ou de menu
K03	« + » : pour connecter les blocs fonctions, pour se déplacer vers des blocs de manière croissante, pour incrémenter les valeurs
K04	« - » : pour déconnecter les blocs fonctions, pour se déplacer vers des blocs de manière décroissante, pour décrémenter les valeurs
K05	Haut (G) : pour se déplacer vers des articles de manière croissante (touches, blocs fonctions, entrées, sorties, etc.)
K06	Bas (H) : pour se déplacer vers des articles de manière décroissante (touches, blocs fonctions, entrées, sorties, etc.)
K07	Droite (E) : pour se déplacer vers la droite de l'écran LCD, du programme FB ou de la commande Saut
K08	Gauche (F) : pour se déplacer vers la gauche de l'écran LCD, du programme FB ou de la commande Saut

FRE

Tableau 6.2: Description des blocs fonctions

Bloc fonction	Byte	Description
AND	19	Sortie active quand toutes les entrées sont actives, les entrées inoccupées sont considérées comme étant actives
OR	19	Sortie active quand au moins une entrée est active, les entrées inoccupées sont considérées comme étant actives
XOR	13	OU exclusif : sortie active quand seule l'une des deux entrées est active
NAND	19	Non ET : sortie inactive quand toutes les entrées sont actives, les entrées inoccupées sont considérées comme étant actives
NOR	19	Non OU : sortie inactive si au moins une entrée est active, les entrées inoccupées sont considérées comme étant actives
NOT	10	Inversion du signal : change marche en arrêt et réciproquement
BOOLEAN	*	Équation logique utilisant les opérateurs AND, OR, XOR et NON
SET/RESET	14	Bascule un relais en position SET ou RESET, indique la priorité SET ou RESET
DELAY	19	Retarde un signal sur un flanc croissant, sur un flanc décroissant ou sur les deux
ONE SHOT	17	Émission d'une impulsion unique : basée sur l'horloge ou sur le signal d'entrée, broche reset disponible
PULSE	10	Émission d'une impulsion sur un flanc croissant, sur un flanc décroissant ou sur les deux
FLICKER	19	Émission d'une série d'impulsions ; temps marche/arrêt, répétitions, durée ou opération continue
ALT	13	La sortie passe alternativement de marche à arrêt à chaque impulsion d'entrée

FRE

Tableau 6.2: Description des blocs fonctions

Bloc fonction	Byte	Description
COUNTER	16	Comptabilisation des impulsions, initialisation possible en fonction d'une valeur d'entrée ou d'un signal
U/D Counter	TBD	Compteur croissant et décroissant disposant des fonctions Preset Input (entrée prédéfinie) et Clear (Effacer)
COMPARE	17	Comparaison de deux valeurs selon les opérateurs <, >, =, <=, >=, <> (valeurs analogiques, direct set ou FB)
TIME SW	*	Utilisation de l'horloge temps réel pour faire passer une sortie de marche à arrêt, calendrier ou échéance hebdomadaire
OFFSET	22	Manipulation des valeurs analogiques ; $y=A/B*x+C$; définit les valeurs plafond (Limit High) et plancher (Limit Low)
DISPLAY	*	Affiche des messages ou des données sur l'écran LCD
ZONE CMP	20	Comparaison entre une valeur et un intervalle de valeurs (analogiques, direct set ou FB)
SCHMITT	19	Active une entrée sur la valeur haute et la désactive sur la valeur basse (ou inversement)
Hour Meter	19	Enregistrement du temps total d'activité (Marche) d'un signal d'entrée ou de sortie
System Outputs	10	Contrôle des dispositifs externes par l'intermédiaire de relais et de transistors.

FRE

* Le nombre de bytes varie en fonction de la donnée d'entrée.

FRE

ADVANCED AND EVER ADVANCING **MITSUBISHI ELECTRIC**

MITSUBISHI
SIMPLE APPLICATION CONTROLLER



ITL

**MANUALE HARDWARE
SISTEMA α**

Sistema α

Premessa

- Il presente manuale contiene testi, figure e spiegazioni per la corretta installazione e un corretto impiego del sistema α e dovrebbe essere letto e compreso prima di installare o impiegare l'apparecchio.
- Se durante l'installazione qualcosa non fosse chiaro, dovrete consultare in ogni caso uno specialista elettrico, qualificato e istruito sull'applicazione delle norme elettriche locali e nazionali. Contattate il concessionario più vicino della MITSUBISHI ELECTRIC se durante le operazioni o l'impiego del sistema α dovessero insorgere dei dubbi.
- Il presente manuale viene pubblicato con riserva di modifiche. Ci riserviamo il diritto di apportare modifiche al presente manuale senza alcun preavviso.

ITL

Sistema α

Manuale Hardware

Numero:	JY992D74201
Revisione:	H
Data:	10/1999

ITL

Direttive di sicurezza per l'utente e misure di sicurezza per il sistema α

Il presente manuale è destinato a personale addestrato e competente. La qualifica del personale viene definita dalle direttive europee per macchine, basse tensioni ed EMV. Tutte le operazioni relative al cablaggio elettrico dei controllori della serie α vanno effettuate da un tecnico od ingegnere addestrato in materia degli standard elettrici locali e nazionali. Nel presente manuale vengono impiegati diversi simboli per evidenziare determinate informazioni. I simboli dovrebbero illustrare al personale addetto gli avvisi relativi riguardanti la sicurezza e le misure di sicurezza. Ogni volta che si riscontra un simbolo si dovrebbe leggere attentamente la relativa nota e osservare attentamente le informazioni ivi contenute.



1) Indica un pericolo imminente che causa danni alle persone o agli oggetti.



2) Indica un pericolo che potrebbe causare danni alle persone o agli oggetti.

ITL

- La MITSUBISHI ELECTRIC non si assume alcuna responsabilità per danni causati da un'installazione o un funzionamento inadeguato degli apparecchi o degli accessori.
- Tutti gli esempi e le figure riportati nel presente manuale intendono solo aiutare a comprenderne il contenuto. Non possiamo assumerci alcuna responsabilità per la correttezza delle operazioni illustrate. La MITSUBISHI ELECTRIC non si assume alcuna responsabilità per un impiego del prodotto facente riferimento agli esempi riportati.
- A causa del gran numero di applicazioni possibili con la presente attrezzatura l'adattamento al proprio caso applicativo specifico è a carico del cliente.
- Nel caso in cui il controllore dovesse guastarsi per qualsiasi motivo, vanno osservati procedimenti di sicurezza appropriati per arrestare qualsiasi equipaggiamento collegato in modo sicuro.
- Non sostituire le componenti elettriche o tentare di riparare prodotti della serie α in qualsiasi modo.
- Utilizzare il prodotto della serie α in osservanza delle normative vigenti in materia a livello locale e nazionale.

Indice

Direttive di sicurezza	ii
1. Introduzione	1
2. Dati tecnici	3
2.1 Modelli disponibili	3
2.2 Alimentazione di potenza	4
2.3 Ingressi	6
2.4 Uscite	8
2.5 Descrizione generale	9
3. Installazione	13
3.1 Montaggio su barra DIN	13
3.2 Allacciamento mediante morsetti a vite	13
3.3 Osservazioni sull'installazione	14

ITL

4. Allacciamento elettrico	17
4.1 Note sul cablaggio di installazione	17
4.2 Formato dei fili e dati caratteristici	17
4.3 Tensione di alimentazione	18
4.4 Circuito di alimentazione raccomandato	18
4.5 Circuito di ingressi.....	19
4.5.1 Ingressi CA.....	19
4.6 Circuito di ingressi Sink/Source	20
4.6.1 Ingressi Source (+)	20
4.6.2 Ingressi Sink (-)	20
4.7 Circuito di uscita transistore e relè.....	21
4.7.1 Uscita relè (CA e/o CC)	21
4.7.2 Uscita transistore (Source o + Common solo).....	22
5. Assegnazione dei morsetti	23
6. Primi passi	25
6.1 Collegamento di due blocchi.....	25
6.2 Blocchi di accesso	26
6.3 Impostazione dei parametri dei blocchi funzionali	27
6.4 Uscita, funzionamento e fermata del programma	28

1. Introduzione

El sistema, semplice e facile nell'impiego, è stato progettato per l'uso in casa, in ufficio, in fabbrica....ovunque, e fornisce una funzione di controllo e supervisione flessibile. Ogni modulo Vi permette di leggere segnali e di impostare le uscite secondo le condizioni particolari o le impostazioni di tempo definite da Voi, l'utente. Inoltre il display programmabile integrato Vi permette di controllare lo stato del Vostro sistema in qualsiasi momento.

Le speciali caratteristiche del sistema α sono:

- Capacità di programmazione diretta (sull'apparecchiatura)
- Capacità di uscita ad alta intensità di corrente
- Piccole dimensioni
- Porta di programmazione di facile accesso
- Capacità di memorizzazione programmi in cassetta EEPROM
- Orologio a tempo reale integrato come equipaggiamento standard
- Pacchetto di programmazione su base Windows, AL-PSC/WIN-E
- Più un'intera gamma di documentazione di supporto e pacchetti d'istruzione

L' α è stato progettato per l'impiego in applicazioni di automatismi quali per: illuminazione, condizionamento dell'aria, irrigazione, porte, cancelli, sistemi di sicurezza semplici, serre, ventilazione, ecc. L'orologio a tempo reale può essere utilizzato come dispositivo per attivare/disattivare automaticamente l'unità ad orari prestabiliti rendendola meno energivora.

Prima di installare i programmi negli automatismi della vostra applicazione, effettuate sempre un accurato debug.

Per ulteriori informazioni contattate il vostro fornitore.

ITL

ITL

2. Dati tecnici

2.1 Modelli disponibili

Tabella 2.1: Descrizione dei modelli

Modello	Tensione di alimentazione	Ingressi		Uscite		Dimesioni mm	Peso kg
		Tipo	Numero.	Tipo	Numero.		
AL-6MR-A	100 - 240V CA ~	100 - 240V CA~	4	RELE	2	71,2 x 90 x 55	0,2
AL-10MR-A			6	RELE	4		
AL-10MR-D	24V CC	24V CC Sink/Source	6	RELE	4		
AL-10MT-D			6	TRANSISTORE	4		
AL-20MR-A	100 - 240V CA~	100 - 240V CA~	12	RELE	8	124,6 x 90 x 55	0,32*
AL-20MR-D	24V CC	24V CC Sink/Source	12	RELE	8		
AL-20MT-D			12	TRANSISTORE	8		

*Senza moduli a funzione speciale

ITL

2.2 Alimentazione di potenza

Tabella 2.2: Dati dell'alimentazione di potenza

Descrizione	Modello	Dati tecnici
Tensione di alimentazione	AL-***-A	100 - 240V CA~, +10% -15%, 50 - 60 Hz
	AL-***-D	24V CC, +20% -15%
Tempo max. cons. di caduta tensione	AL-***-A	10ms
	AL-***-D	5ms
Corrente massima di accensione	240V CA~ (120V CA~)	$\leq 1,5$ A (0,7 A)
	24 V CC	$\leq 7,0$ A
Consumo massimo di corrente (senza moduli a funzione speciale)	AL-6MR-A, 264V CA~	3,0 W
	AL-10MR-A, 264V CA~	4,0 W
	AL-10MR-D, 28,8V CC	3,0 W
	AL-10MT-D, 28,8V CC	2,0 W
	AL-20MR-A, 264V CA~	8,0 W
	AL-20MR-D, 28,8V CC	7,0 W
	AL-20MT-D, 28,8V CC	5,0 W

ITL

Tabella 2.2: Dati dell'alimentazione di potenza

Descrizione	Modello	Dati tecnici
Consumo tipico di corrente (senza moduli a funzione speciale)	AL-6MR-A, 240V CA~	I/U „1“ - 2,5 W, I/U „0“ - 1,5 W
	AL-6MR-A, 120V CA~	I/U „1“ - 2,0 W, I/U „0“ - 1,2 W
	AL-10MR-A, 240V CA~	I/U „1“ - 3,0 W, I/U „0“ - 1,5 W
	AL-10MR-A, 120V CA~	I/U „1“ - 2,5 W, I/U „0“ - 1,2 W
	AL-10MR-D, 24V CC	I/U „1“ - 2,0 W, I/U „0“ - 0,3 W
	AL-10MR-D, 24V CC	I/U „1“ - 2,5 W, I/U „0“ - 0,3 W
	AL-10MR-A, 240V CA~	I/U „1“ - 5,0 W, I/U „0“ - 1,5 W
	AL-10MR-A, 120V CA~	I/U „1“ - 4,0 W, I/U „0“ - 1,2 W
	AL-20MR-D, 24V CC	I/U „1“ - 5,0 W, I/U „0“ - 0,3 W
	AL-20MT-D, 24V CC	I/U „1“ - 5,0 W, I/U „0“ - 0,3 W

ITL

2.3 Ingressi

Tabella 2.3: Dati tecnici degli ingressi CA

Descrizione	Dati tecnici
Tensione di ingresso	100 - 240V CA~, +10% -15%, 50 - 60 Hz
Corrente di ingresso	0,24mA / 240V CA~, vedi nota 1*
Impedenza d'ingresso	≥ 800 kOhm
Segnale 0 -> Segnale 1 Segnale 1 -> Segnale 0	80V/40V
Tempo di reazione	~ 50ms
Circuito di isolamento	Non
Indicazione di funzionamento	Display a cristalli liquidi

Tabella 2.4: Dati tecnici degli ingressi CC

Descrizione	Sink ("-" Common)	Source ("+" Common)
Tensione di ingresso	24V CC +20% -15%	24V CC +20% -15%
Corrente di ingresso	5,0 mA	5,0 mA
Segnale 0 -> Segnale 1 Segnale 1 -> Segnale 0	Corrente: $\geq 4,3$ mA / $\leq 1,1$ mA Tensione: ≤ 4 V / ≥ 18 V	Tensione: ≥ 18 V / ≤ 4 V
Tempo di reazione (I01 - I08)	10 - 20 ms	10 - 20 ms
Tempo di reazione (I09 - I12)	20 - 40 ms	20 - 40 ms
Circuito di isolamento	Non	Non
Indicazione di funzionamento	Display a cristalli liquidi	

*Nota 1 - La perdita di corrente dai sensori collegati agli ingressi potrebbe fornire corrente sufficiente all'inserimento del controllore. Non utilizzate due sensori a filo.

ITL

Tabella 2.5: Dati tecnici degli ingressi analogici

Descrizione	Dati tecnici
AL-10M*-D	6 canali: I01 - I06
AL-20M*-D	8 canali: I01 - I08
Gamma ingresso analogico	0 - 250
Risoluzione	10000/250 mv
Velocità di conversione	10 ms
Tensione di ingresso	0 - 10V CC
Impedenza d'ingresso	150 kOhm o superiore
Esattezza complessiva	+/- 5% (0,5V CC)
Sfasamento/Guadagno	Valore di sfasamento = 0 at 0V CC Valore di guadagno: 0 - 10V = 0 - 250 Questi valori standard possono essere modificati in Sfasamento FB
Deriva termica	+/- 3 LSB

ITL

2.4 Uscite

Tabella 2.6: Dati tecnici delle uscite a relè

Descrizione	Dati tecnici
Tensioni di accensione	250V CA~ o inferiore, 30V CC o inferiore
Carico resistive max.	8A / comune (10A / commune per uscite 110V CA~)
Ciclo di vita contatto / Carico resistenza	100000 cicli a 8 A / 240V CA~ o 24V CC 30000 cicli a 10 A / 110V CA~
Carico min.	50mW (10mA a 5V CC)
Carico induttivo max.	245 VA (1/3 passa alto) / 125 VAC~, 367 VA (1/2 passa alto) / 250 VAC~
Tempo di reazione	10ms o inferiore
Indicazione di funzionamento	Display a cristalli liquidi
Circuito di isolamento tramite	Relè

Tabella 2.7: Dati tecnici delle uscite a transistor (solo Source)

Descrizione	Dati tecnici
Tensioni di accensione	5 - 24V CC (+20%, -5%)
Carico resistive max.	1A / morsetti (8 - 24V CC), 0,1A / morsetti (5 - 8V CC)
Carico min.	1,0mA
Carico induttivo max.	1A / 24V CC (24 W)
Carico max. lampada	0,125 A / 24V CC (3,0 W)
Tempo di reazione 1 -> 0 / 0 -> 1 (env.)	≤ 1 ms
Corrente di dispersione	$\leq 0,1$ mA / 24V CC
Indicazione di funzionamento	Display a cristalli liquidi
Circuito di isolamento	Non

ITL

2.5

Descrizione Generale**Tabella 2.8: Condizioni ambientali**

Descrizione	Dati tecnici
Metodo di programmazione	Blocco di funzione
Capacità programmi	64 Blocco di funzione or 1500 Bytes
Metodo di salvataggio programmi	EEPROM incorporata (non necessita di batteria di riserva) o cassetta EEPROM opzionale
Backup del dispositivo, Backup OTR (Orologio a Tempo Reale)	20 giorni a25°C (tramite condensatore)
Precisione OTR (orologio tempo reale)	5 secondi/giorno
Temperatura di esercizio	0 - 55 °C
Temperatura di conservazione	(-30) - 70 °C
Resistenza vibrazioni Montaggio diretto	conforme alla normativa IEC 68-2-6; 10-57 Hz: 0,15 mm ampiezza costante 57-150 Hz: 19,6 m/s ² accelerazione Conteggio sweep per X,Y,Z: 10 volte (80 min. in ogni direzione)
Resistenza vibrazioni Montaggio su supporto DIN	conforme alla normativa IEC 68-2-6; 10-57 Hz: 0,075 mm ampiezza costante 57-150 Hz: 9,8 m/s ² accelerazione Conteggio sweep per X,Y,Z: 10 volte (80 min. in ogni direzione)
Resistenza agli urti	conforme alla normativa IEC 68-2-27: 147m/s ² accelerazione, tempo di azione: 11 ms 3 volte in ogni direzione X,Y e Z

ITL

Tabella 2.8: Condizioni ambientali

Descrizione	Dati tecnici
Immunità al rumore	1000Vpp, 1 microsecondi, 30 - 100 Hz, collaudato mediante simulatore di rumore
Umidità	Umidità relativa 35-85%, senza condensa
Rigidità dielettrica	3750V AC > 1 min. come da norma EN60730-1 tra i seguenti punti: Morsetti di alimentazione/ingresso e morsetti di uscita relè Morsetto di uscita relè e morsetto di uscita relè Tutti i morsetti e l'unità di controllo DIN 43880 o equivalente
Resistenza di isolamento	7 Mohm a 500V DC come da norma EN60730-1 tra i seguenti punti: Morsetti di alimentazione/ingresso e morsetti di uscita relè Morsetto di uscita relè e morsetto di uscita relè Tutti i morsetti e l'unità di controllo DIN 43880 o equivalente
Tipo di azione	EN 60730-1, Sezione 6.4.3 - Tipo 1C(Uscita relè)
Tipo di azione	EN 60730-1, Sezione 6.4.3 - Tipo 1Y(Uscita transistore)
Classe software	EN 60730-1, Sezione H6.18 - Classe A
Costruzione del controllo	EN 60730-1, Sezione 6.15 - Controllo incorporato
Se il controllo è elettrico	EN 60730-1, Sezione H2.5.7 - Controllo elettrico
Classe di protezione	II
Controllo inquinamento	Per l'uso in condizioni di inquinamento normale
Messa a terra	Non
Isolamento elettrico	Isolamento rinforzato primario/secondario
Condizioni ambientali	Deve essere privo di gas corrosivi. Limitare al minimo la presenza di polvere.
Protezione	IP 20

ITL

Tabella 2.8: Condizioni ambientali

Descrizione	Dati tecnici
Certificazioni	CE, UL/cUL
Dichiarazione di conformità	TÜV (AL-10MT-D, AL-10MR-D)
Conforme alle norme	UL 508 EN60730-1 EN61010-1 EN50081-1 EN50082-1 EN50082-2
Display a cristalli liquidi	Visualizza 4 righe da dieci caratteri l'una. Modo Program Run On/Off, protezione con password, tabella immagini, e blocchi funzionali durante la programmazione.

ITL

ITL

3. Installazione

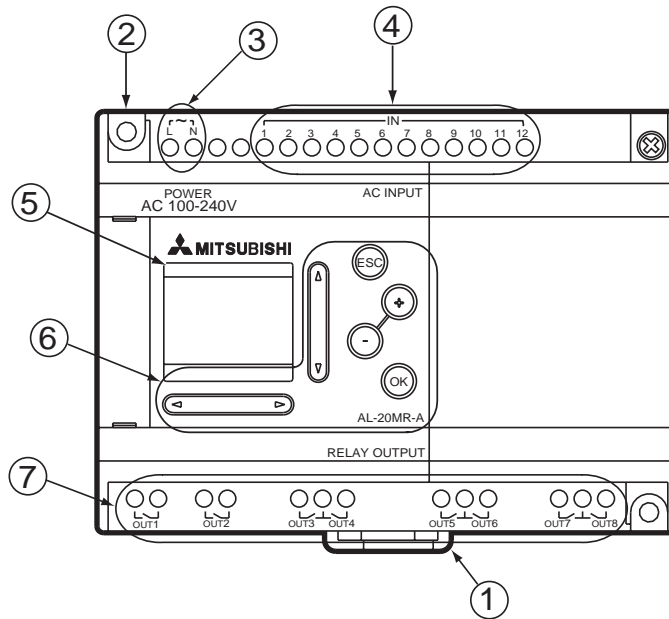


Tabella 3.1: Descrizione degli apparecchi

No.	Descrizione
1	Fermagli di montaggio DIN-RAIL
2	Foro di montaggio, diam. 4,2 mm
3	Morsetti di tensione
4	Morsetti di ingresso
5	Display a cristalli liquidi
6	Tasti operativi
7	Morsetti di uscita

3.1 Montaggio su barra DIN

Gli apparecchi possono essere montati a scatto su una barra DIN 35mm (DIN EN e0022). Per smontare l'apparecchio, tirare dalla barra il fissaggio rapido servendosi di un giravite ed estrarre l'apparecchio.

3.2 Allacciamento mediante morsetti a vite

Per l'allacciamento dei cavi, gli apparecchi α Series sono muniti di morsetti a vite. Per l'allacciamento dei cavi impiegate morsetti crimp isolati.

ITL

3.3 Osservazioni sull'installazione



Il sicuro design del sistema α consente all'utente di installarlo quasi ovunque, però si dovrebbero considerare i seguenti punti:

Non installate in aree soggette a: polvere eccessiva o conduttiva, gas corrosivo o infiammabile, umidità o pioggia, calore eccessivo, urti regolari o vibrazione eccessiva. Non immergete in acqua ed evitate che possa penetrare acqua nel controllore.

Non fate cadere detriti all'interno dell'unità durante l'installazione.

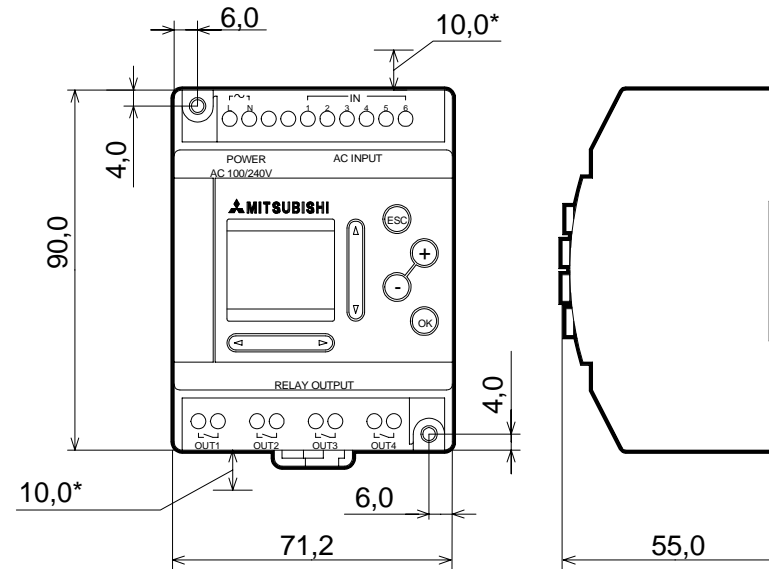
Mantenetelo il più lontano possibile dai cavi e dall'attrezzatura ad alta tensione e dall'attrezzatura di potenza.

L' α deve essere installato in cassette progettate per l'installazione di dispositivi conformi alla norma DIN 43880 o in un regolatore di tensione.

Per il montaggio mediante i fori filettati, utilizzare viti formato M4.

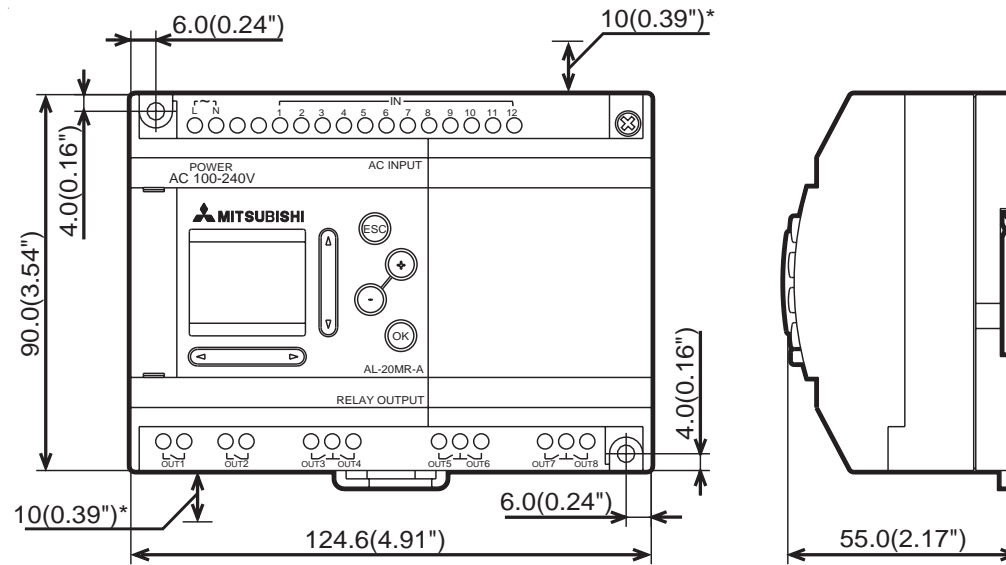
I connettori devono essere coperti per evitare il rischio di lesioni dovute al contatto con conduttori "sotto tensione".

* Lasciare almeno 10 mm di spazio per la ventilazione tra i bordi superiore e inferiore dell' α e le pareti circostanti.



All units in mm

Non smontate il controllore della serie α . Per la sostituzione della cassetta di memoria, consultate il relativo manuale.



ITL

4. Allacciamento elettrico

4.1 Note sul cablaggio di installazione



Il cablaggio di α Series è stato progettato in modo che sia sicuro e semplice. Tutti gli interventi relativi ai collegamenti elettrici dell' α devono essere eseguiti da un tecnico o un ingegnere esperto delle norme nazionali e locali riguardanti gli impianti elettrici. Prima di effettuare qualsiasi operazione di cablaggio è necessario disinserire l'alimentazione di corrente.

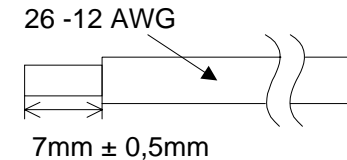
- I cavi di ingresso e di uscita non devono essere instradati nello stesso cavo multipolare o condividere lo stesso filo.
- Non disporre i cavi di ingresso/uscita vicino ai cavi di alimentazione dell'alta tensione.

Calcolate la caduta di tensione e le interferenze di disturbo nelle linee di entrata/uscita posate per lunghe distanze. Vi preghiamo di utilizzare cavi di misura idonea al carico di corrente.

4.2 Formato dei fili e dati caratteristici



Collegare gli ingressi e le uscite con fili di diam. da $1,3 \text{ mm}^2$ a $3,31 \text{ mm}^2$. Spelare il filo per una lunghezza di $7 \pm 0,5 \text{ mm}$. Svitare il morsetto sino alla sua posizione massima prima di inserire un filo. Inserire completamente il filo nel morsetto per assicurarsi di aver instaurato un collegamento corretto. Inserire il filo nel morsetto e serrarlo sufficientemente da impedirgli di essere sfilato. Per evitare di danneggiare il filo, non superare una coppia di serraggio di 0.5 Nm ($5 \text{ kgf}\cdot\text{cm}$). Non utilizzate stagno, leghe per saldatura o altre sostanze sul filo spelato, poiché si potrebbe rompere il trefolo. Per i morsetti è adatto un cacciavite a testa piatta da 3 mm .



ITL

4.3 Tensione di alimentazione



Per l'allacciamento della tensione alternata (CA) si deve collegare il conduttore L al morsetto L e il conduttore N al morsetto N. to della tensione alternata (CA) si deve collegare il conduttore L al morsetto L e il conduttore N al morsetto N. NON collegare il filo "Live" al morsetto "N", poiché l'utente potrebbe subire una pericolosa scossa elettrica al momento dell'accensione.

Per l'allacciamento della tensione continua (CC) si deve collegare il conduttore positivo al morsetto (+) e il conduttore negativo al morsetto (-). L'allacciamento della tensione di alimentazione non si deve eseguire in nessun caso in altri morsetti dell'apparecchio. Le unità di alimentazione di corrente continua devono essere in grado di fornire al controllore un'erogazione di 4 ampere di corrente.

4.4 Circuito di alimentazione raccomandato

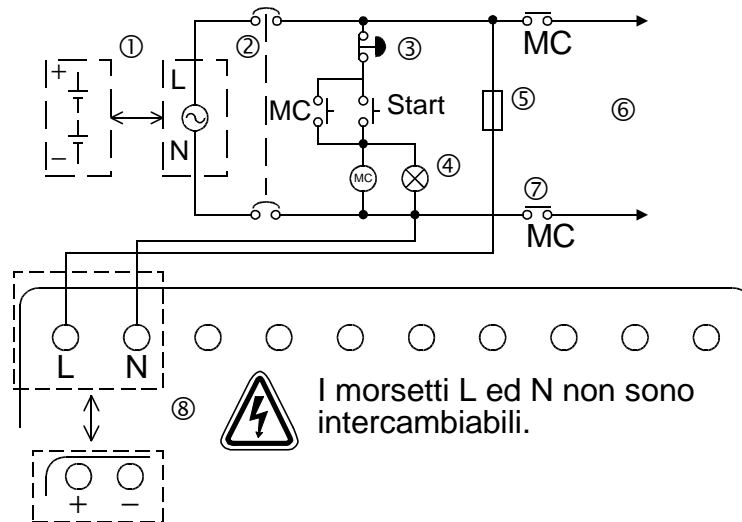


Tabella 4.1: Alimentazione

No.	Descrizione
1	Tensione di alimentazione: CA~:100-240V 50-60Hz CC: 24V
2	Dispositivo di isolamento circuito
3	Interruttore di emergenza
4	Indicatore pilota di accensione
5	Dispositivo di protezione circuito- limitare a 1,0 A
6	Tensione di alimentazione per carico CA
7	Contatto interruttore magnetico
8	Sistema α

ITL

4.5 Circuito di ingressi

4.5.1 Ingressi CA

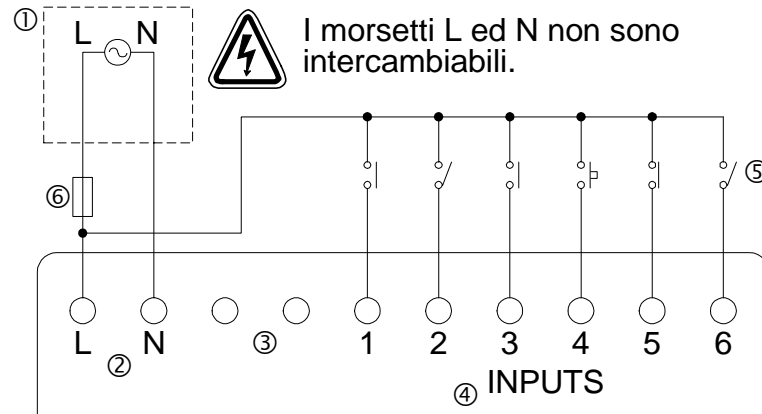


Tabella 4.2: Ingressi CA

No.	Descrizione
1	Tensione di alimentazione CA: 100 - 240V CA~ 50 - 60 Hz
2	Morsetti di tensione CA
3	Terminali non utilizzati
4	Morsetti di ingresso
5	Interruttore di ingresso
6	Dispositivo di protezione circuito limitare a 1,0 A

ITL

4.6 Circuito di ingressi Sink/Source

4.6.1 Ingressi Source (+)

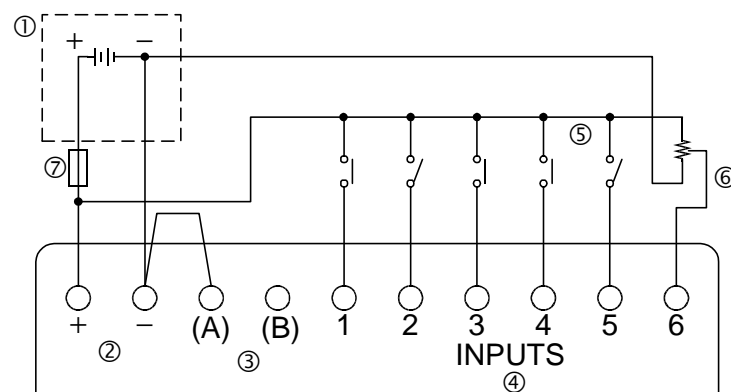
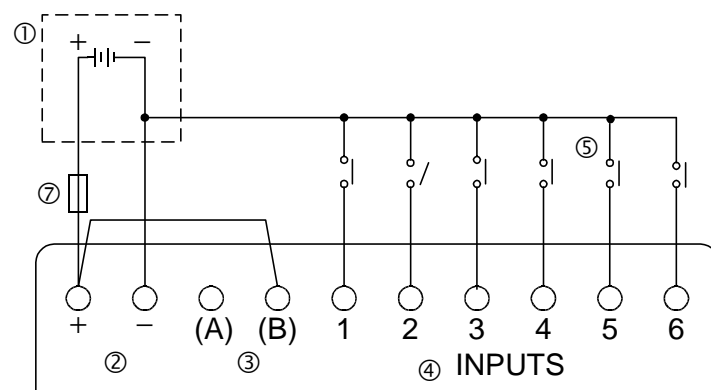


Tabella 4.3: Ingressi Sink/Source

No.	Descrizione
1	Tensione di alimentazione CC: 24V CC
2	Morsetti di tensione CC
3	Morsetti di ingresso Sink/Source
4	Morsetti di ingresso
5	Interruttori di ingresso sensore
6	Ingresso analogico
7	Dispositivo di protezione circuito limitare a 1,0A

4.6.2 Ingressi Sink (-)



ITL

4.7 Circuito di uscita transistor e relè

4.7.1 Uscita relè (CA e/o CC)

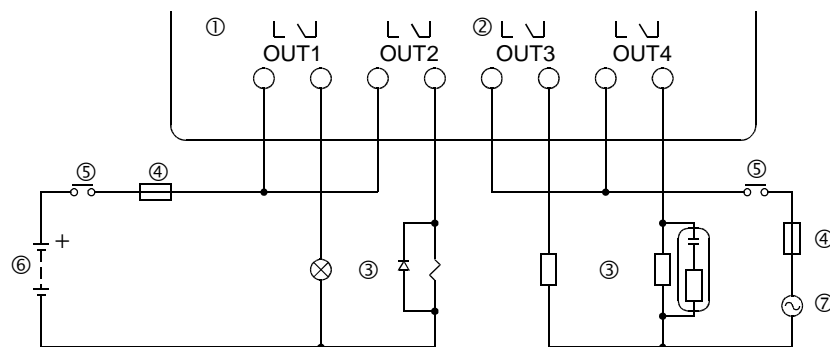


Tabella 4.4: Uscita relè

No.	Descrizione
1	Sistema α
2	Uscite mutuamente esclusive
3	Dispositivi di uscita
4	Fusibile: 10A risp. per 4 morsetti di uscita per proteggere il circuito di uscita del α
5	Interruttore di emergenza
6	Tensione CC
7	Tensione CA

ITL

4.7.2 Uscita transistor (source o “+” Common solo)

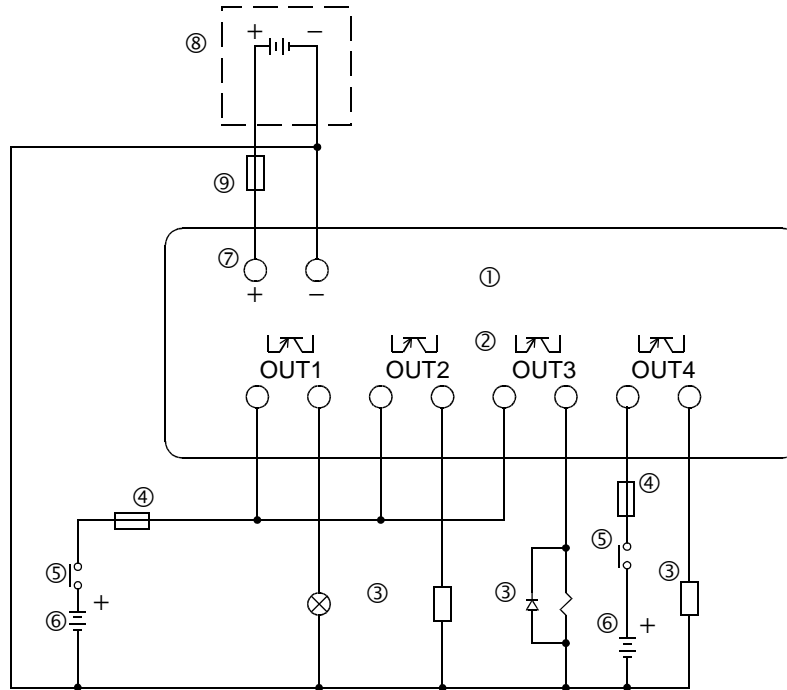


Tabella 4.5: Uscita transistor

No.	Descrizione
1	Sistema α
2	Morsetti di uscita
3	Dispositivi di uscita
4	Dispositivo di protezione vedi tabella 4.6
5	Interruttore di emergenza
6	Alimentazione CC per le uscite
7	Morsetti di tensione
8	Alimentazione CC, 24V CC
9	Dispositivo di protezione (1,0 A)

Tabella 4.6: Protezione per uscita transistor

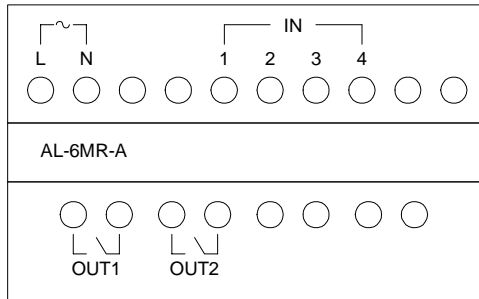
Circuito	Dispositivo di protezione circuito (fusibile)
5 Volt	$\leq 0,3$ A per circuito
12 Volt	$\leq 2,0$ A per circuito
24 Volt	$\leq 2,0$ A per circuito

Volt	Morsetti di uscita
5	Ogni circuito può contenere da un morsetto di uscita sino al numero massimo di morsetti di uscita.
12-24	Ogni circuito può contenere da un morsetto di uscita sino al numero massimo di morsetti di uscita.
5, 12, or 24	L'impiego di una qualsiasi combinazione di uscite da 5 Volt, 12 Volt e 24 Volt può avvenire sullo stesso controller della serie α se si utilizzano circuiti separati per ogni livello di tensione.

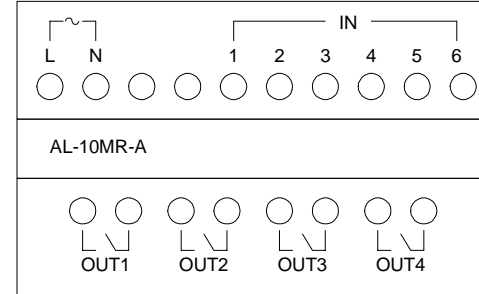
ITL

5. Assegnazione dei morsetti

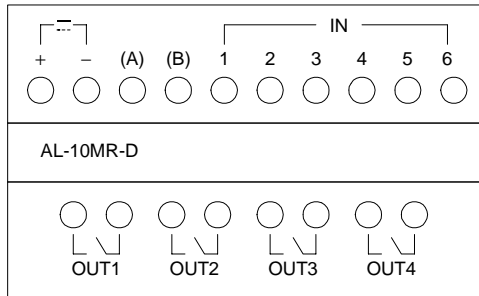
AL-6MR-A, Ingresso CA, Uscita relè



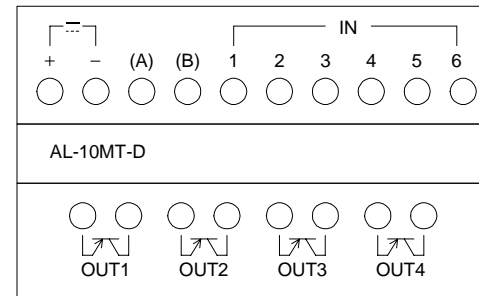
AL-10MR-A, Ingresso CA, Uscita relè



AL-10MR-D, Ingresso CC, Uscita relè

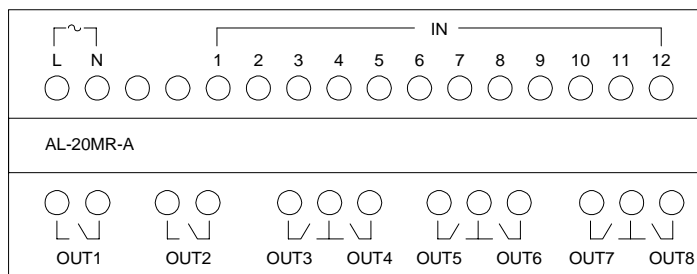


AL-10MT-D, Ingresso CC, Uscita transistor

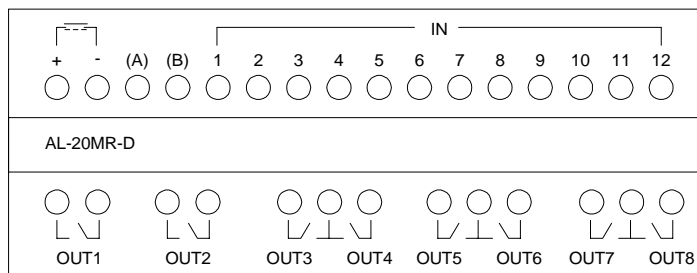


ITL

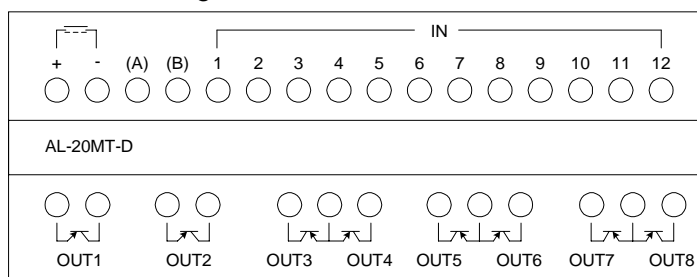
AL-10MR-A, Ingresso CA, Uscita relè



AL-10MR-D, Ingresso CC, Uscita relè



AL-10MT-D, Ingresso CC, Uscita transistor



ITL

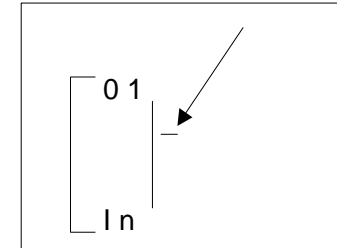
6. Primi passi

L' α viene programmato attraverso dei blocchi funzionali. In questo tipo di programmazione i blocchi funzionali vengono collegati l'uno all'altro per l'assemblaggio di un programma. Vi sono cinque tipi di blocchi che possono essere inseriti nel vostro programma: input di sistema, tasti di pannello frontale, M bits di sistema, blocchi funzionali e uscite di sistema.

Se il controller viene acceso su di uno schermo compaiono la data, l'ora e la tabella di immagine (stato delle entrate e delle uscite). Premendo un qualsiasi tasto vi portate nella barra di menu. Entrate nel modo Edita premendo il tasto OK per procedere con la programmazione.

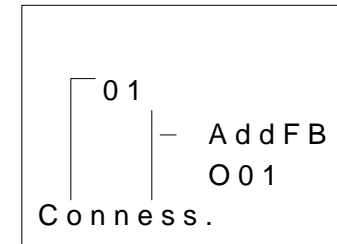
6.1 Collegamento di due blocchi

I blocchi funzionali (FB) vengono collegati unendo un pin di uscita ad un pin di ingresso ancora libero. La freccia è rivolta verso il pin di uscita. Il pin di uscita è sempre mostrato sul lato destro del blocco funzionale. I pin di ingresso non utilizzati vengono mostrati come ">" mentre i pin di ingresso occupati vengono mostrati come dei triangoli pieni. Premete il tasto di freccia a destra per muovere lo schermo verso destra mentre il pin di uscita lampeggia. Usate il tasto "+" per eseguire la connessione oppure "aggiungere" un blocco funzionale. Il tasto "-" disconnette due unità..



ITL

Premete il tasto "+". Sul lato destro dello schermo compaiono le possibili opzioni per il collegamento di blocchi funzionali. Usate le frecce in su o in giù per portarvi sull'unità desiderata da aggiungere. La selezione corrente lampeggia. Una riga con la scritta "Conness" apparirà sulla parte alta o bassa dello schermo. Selezionate il blocco da collegare desiderato con il tasto OK.

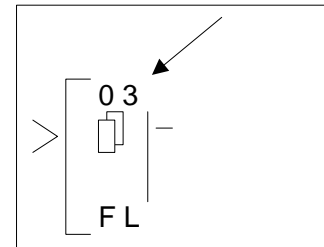
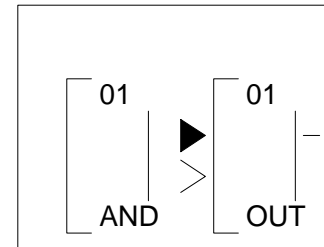
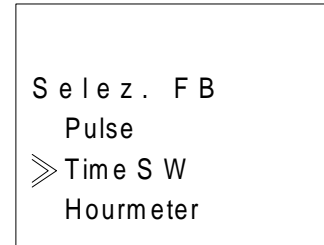


Gli ingressi, i tasti, gli M Bits, i blocchi funzionali e le uscite vengono mostrati automaticamente se essi possono essere collegati. I blocchi funzionali devono essere collegati l'uno all'altro durante la programmazione

Per aggiungere un nuovo blocco funzionale selezionate AddFB. Il menu AddFB mostrerà 22 blocchi funzionali (vedere la descrizione dei blocchi funzionali alla fine del presente paragrafo). Selezionate il blocco desiderato con il tasto OK.

Selezionate un pin di ingresso aperto (">") e premete OK. La riga con "Connex" scompare dallo schermo – i due blocchi funzionali sono ora collegati!

I pin di uscita possono essere collegati a più pin di ingresso ma i pin di ingresso possono avere solamente un collegamento ognuno.



ITL

6.2 Blocchi di accesso

Se il numero del blocco funzionale sta lampeggiando usate i tasti "+" o "-" per passare ai numeri di blocco adiacenti.

Per esempio: Sullo schermo sta lampeggiando il numero di blocco 03. Premendo il tasto "+" vi portate sull'ingresso n° 04. In tale maniera è possibile accedere agli ingressi, alle uscite, ai tasti e ai bit di memoria.

I blocchi funzionali sono accessibili in maniera analoga, ma ci si può portare solamente sui blocchi funzionali inseriti all'interno del programma.

6.3 Impostazione dei parametri dei blocchi funzionali

Alcuni blocchi funzionali sono dotati di parametri che devono essere impostati. Questi parametri includono il tempo, il tempo trascorso, le ripetizioni impostate, le ripetizioni attuali, la priorità di set/reset e altri.

Usate i tasti freccia per passare da un blocco funzionale all'altro. Se il numero del blocco funzionale lampeggia inserite OK due volte per entrare nel modo di setup del blocco funzionale stesso. Regolate le impostazioni in maniera tale da soddisfare i requisiti del programma (confrontate la tabella funzionale dei tasti 6.1). *Inserite tutti i dati necessari su ogni schermo prima di accettare le impostazioni con OK.*

Alcuni blocchi funzionali sono dotati di schermi di opzione multipli. Usate il tasto ESC per passare ad uno schermo superiore senza salvare i contenuti nella memoria di sistema. Una volta terminato l'inserimento dei dati usate il tasto ESC per portarvi su di uno schermo superiore mentre lo schermo principale di programmazione viene ancora visualizzato.

```
B 0 3 : F L
O r a i n s .
T =      0 . 0 s
t =      0 . 0 s
```

ITL

6.4 Uscita, funzionamento e fermata del programma

Premete il tasto ESC per entrare nel menu di editazione (è possibile che sia necessario premere il tasto ESC più volte). e usate l'opzione Esci per uscire da Edita.

Per lanciare il programma usate l'opzione Run. Confermate con OK. Quando il programma è partito lo schermo frontale viene mostrato insieme all'ora, alla data e alla tabella di immagine.

Premete un tasto qualunque per entrare nella barra di menu in cui si trova l'opzione di Stop. Confermate tale opzione per fermare il programma e confermate la scelta fatta con OK.

```
Edita
  Form Prog
  >> Salta
  Nuovo FB
  Esci
  Mnemonic
```

```
Menu Prin.
  R u n
  Editare
  >> El. prog
  Reg. ora
  LANGUAGE
  Altri
```

Altre opzioni che possono essere selezionate sono:

Reg. ora : Imposta l'ora esatta reale

LANGUAGE (Lingua) : Seleziona la lingua fra l'inglese, il giapponese, il tedesco, il francese, l'italiano o lo spagnolo

El. Prog : Cancella tutto ciò che si trova nella memoria di programma, i programmi e i dati !

Altri : Dà più opzioni per un controllo di versione, la protezione mediante parola d'ordine, programma di passaggio all'ora estiva/invernale, inizializzazione del modem e comando del menu mediante i tasti

ITL

Tabella 6.1: Numero dei tasti e operazioni di base

Numero tasto	Funzione principale del tasto
K01	OK : accettazione inserimento dati, opzioni di menu, selezioni di programma
K02	ESC : cancella operazioni in corso, passa a schermo o menu superiore
K03	« + » : collega blocchi funzionali, passa a blocchi con numero più alto, aumenta valori
K04	« - » : disconnette blocchi funzionali, passa a blocchi con numero più basso, abbassa valori
K05	Su (G) : passa ad elementi dal numero maggiore (tasti, blocchi funzionali, ingressi, uscite, etc.)
K06	Giù (H) : passa ad elementi dal numero minore (tasti, blocchi funzionali, ingressi, uscite, etc.)
K07	Destra (E) : si muove a destra nello schermo LCD, nel programma dei blocchi funzionali o comando di Salta
K08	Sinistra (F) : si muove a sinistra nello schermo LCD, nel programma dei blocchi funzionali o comando di Salta

ITL

Tabella 6.2: Descrizione dei blocchi funzionali

Bloc fonction	Byte	Descrizione
AND	19	Uscita attiva se tutti gli ingressi sono attivi, gli ingressi non utilizzati sono considerati attivi
OR	19	Uscita attiva se almeno un ingresso è attivo, gli ingressi non utilizzati sono considerati spenti
XOR	13	OR esclusivo: uscita attiva se solo uno di due ingressi è attivo
NAND	19	Not AND; uscita disattivata soltanto se tutti gli ingressi sono attivi, gli ingressi non utilizzati sono considerati attivi
NOR	19	Not OR; uscita disattivata se almeno un ingresso è attivo, gli ingressi non utilizzati sono considerati spenti
NOT	10	Inverte un segnale; cambia attivo in spento e viceversa
BOOLEAN	*	Equazione logica che usa AND, OR, XOR e NOT
SET/RESET	14	Abbina un rele in posizione di SET o di RESET, da una priorità di SET o RESET
DELAY	19	Ritarda un segnale in aumento, in abbassamento o su entrambi i limiti
ONE SHOT	17	Trasmette un unico impulso; basato su tempo o su segnale di ingresso, possibilità di reset pin
PULSE	10	Trasmette un impulso in aumento, in abbassamento o su entrambi i limiti
FLICKER	19	Trasmette una serie di impulsi; tempi on/off, ripetizioni, durate o operazioni continue
ALT	13	Uscita che alterna accensione e spegnimento con ogni impulso di ingresso
COUNTER	16	Contatore di impulsi, può azzerare al raggiungimento di un valore di ingresso o di un segnale
U/D Counter	TBD	Contatore Up e Down con ingresso di preset e funzioni di cancellazione

ITL

Tabella 6.2: Descrizione dei blocchi funzionali

Bloc fonction	Byte	Descrizione
COMPARE	17	Compara due valori su <, >, =, <=, >=, <> (Analogo, Impost. diretta, o valori di FB)
TIME SW	*	Usa l'RTC per attivare o disattivare un'uscita; Calendario o programma settimanale
OFFSET	22	Manipola valori analogici; $Y = A/B \cdot x + C$; Imposta soglie alte (Limit High) e basse (Limit Low)
DISPLAY	*	Mostra messaggi o dati sul display a cristalli liquidi
ZONE CMP	20	Compara un valore ad una serie di valori (analogo, impost. diretta o valori FB)
SCHMITT	19	Rende attivo un ingresso al valore alto e lo spegne al valore basso (o viceversa)
Hour Meter	19	Registra il tempo accumulato durante il quale un segnale di ingresso o di uscita è stato attivo
System Outputs	10	Controlla unità esterne attraverso relè o transistor

* Il numero dei bytes cambia a seconda dei dati di ingresso.

ITL

ITL

ADVANCED AND EVER ADVANCING **MITSUBISHI ELECTRIC**

MITSUBISHI
SIMPLE APPLICATION CONTROLLER



ESP

MANUAL DE HARDWARE
SISTEMA α

Sistema α

Prólogo

- Este manual contiene textos, ilustraciones y aclaraciones para asegurar una correcta instalación y manejo de los sistemas α y deberá leerse antes de proceder a su instalación o manejo. Es imprescindible entender el contenido de este manual.
- En caso de duda durante la instalación, deberá consultar a un electricista cualificado que conozca las normas electrotécnicas locales y nacionales. Si se presenta algún problema durante el manejo o uso del sistema α , póngase en contacto con el concesionario de MITSUBISHI ELECTRIC más cercano.
- Nos reservamos el derecho de efectuar cualquier modificación o cambio en este manual, en cualquier momento y sin previo aviso.

ESP

Sistema α

Manual de hardware

Número:	JY992D74201
Revisión:	H
Fecha:	10/1999

ESP

Instrucciones de seguridad para el usuario y medidas de protección para las unidades

El manual ha sido elaborado para uso del personal competente y cualificado. La certificación cumple las directivas europeas sobre máquinas, bajas tensiones y EMC. El cableado eléctrico de los controladores del sistema α debe ser manipulado por un técnico o ingeniero especializado en las normas eléctricas locales y nacionales. En este manual se emplean símbolos que permiten resaltar determinadas características. Con ello, se ofrece a los operarios las indicaciones sobre medidas de seguridad y de protección necesarias. Cuando aparezca uno de los símbolos debe leerse la indicación pertinente para así entender la información proporcionada.



1) Indica un peligro inminente, que puede conducir a daños personales o materiales.



2) Indica la posibilidad de un peligro, que puede conducir a daños personales o materiales.

- MITSUBISHI ELECTRIC no asumirá responsabilidad alguna de los daños que se hayan podido producir por causa de una instalación inadecuada o por un uso inapropiado tanto de las unidades como de los accesorios.
- Todos los ejemplos e ilustraciones que aparecen en el manual tienen la finalidad de facilitar la comprensión del texto. MITSUBISHI ELECTRIC no asumirá responsabilidad alguna en cuanto a la exactitud e implementación de los ejemplos expuestos en este manual se refiere ni a los daños que pudieran ocasionarse tras ponerlos en práctica.
- Debido a las amplias posibilidades de aplicación de este equipo, el propio usuario deberá adaptar dicho equipo a su caso específico.
- Si se rompe el controlador por alguna razón, rogamos tomen medidas de seguridad para parar de forma segura cualquier equipo conectado.
- No cambie ninguna pieza eléctrica ni trate de reparar un producto del sistema α .
- Por favor, utilice el producto del sistema α según las normas locales y nacionales.

ESP

Contenido

Instrucciones de seguridad	ii
1. Introducción.....	1
2. Especificaciones	3
2.1 Modelos disponibles	3
2.2 Especificación de suministro eléctrico	4
2.3 Entradas.....	6
2.4 Salidas	8
2.5 Especificación de carácter general	9
3. Instalación.....	11
3.1 Cariles de montaje DIN.....	11
3.2 Conexiones de bornas roscadas	11
3.3 Observaciones sobre el emplazamiento.....	12

ESP

4. Alambrado	15
4.1 Notas sobre los alambres de instalación	15
4.2 Tamaño del alambre y sus especificaciones	15
4.3 Alimentación de tensión.....	16
4.4 Cableado la alimentación.....	16
4.5 Cableado las entradas CA	17
4.5.1 Entradas CA	17
4.6 Cableado las entradas Sink/Source.....	18
4.6.1 Entradas Source (+)	18
4.6.2 Entradas Sink (-).....	18
4.7 Cableado las salidas de relé y de transistor	19
4.7.1 Sortidas de relé (CA y/o CC)	19
4.7.2 Sortidas de transistor (Source o + Common solamente)	20
5. Ocupaciones de bornas	21
6. Inicio	23
6.1 Manera de conectar dos bloques.....	23
6.2 Manera de acceder a los bloques.....	24
6.3 Manera de configurar los parámetros de un bloque de función.....	25
6.4 Manera de salir, ejecutar o detener el programa	26

ESP

1. **Introducción**

El sistema tan simple y de fácil uso ha sido diseñado para ser usado en el hogar, la oficina, fábrica... en todas partes y además consta de una función flexible de control. Cada módulo le permite leer señales y ajustar las potencias de salida de acuerdo a las condiciones particulares a los ajustes de tiempo definidos por usted, el usuario. Junto a esto, el visualizador integrado programable le permite controlar el estado de su sistema en todo momento.

Las características especiales del sistema α son:

- Capacidad de programación directa (en el equipo)
- Capacidad de salida de corriente elevada
- Tamaño pequeño
- Puerto de programación de fácil acceso
- Capacidad de almacenamiento de programa en casete EEPROM
- Reloj integrado de tiempo real de serie
- Paquete de programación basado en Windows, AL-PCS/WIN-E
- Más una amplia gama de documentación de ayuda y paquetes de entrenamiento

El α está diseñado para ser usado en las siguientes aplicaciones automáticas: iluminación, aire acondicionado, irrigación, puertas, portones, sistemas simples de seguridad, invernaderos, ventiladores, etc. El reloj de tiempo real se puede utilizar como un potente dispositivo capaz de ahorrar energía al encender o apagar el equipo a las horas programadas.

Depure los programas cuidadosamente antes de instalarlos en el equipo automatizado. El α no está diseñado para utilizar en situaciones críticas que ponen la vida en peligro ni en aplicaciones de seguridad contra averías.

Para más información, póngase en contacto con su comerciante habitual.

ESP

ESP

2. Especificaciones

2.1 Modelos disponibles

Tabla 2.1: Descripción del tipo

Modelo	Alimentación de tensión	Entradas		Salidas		Dimesiones mm	Peso kg
		Tipo	No.	Tipo	No.		
AL-6MR-A	100 - 240V CA ~	100 - 240V CA~	4	RELÉ	2	71,2 x 90 x 55	0,2
AL-10MR-A			6	RELÉ	4		
AL-10MR-D	24V CC	24V CC Sink/Source	6	RELÉ	4		
AL-10MT-D			6	TRANSISTOR	4		
AL-20MR-A	100 - 240V CA~	100 - 240V CA~	12	RELÉ	8	124,6 x 90 x 55	0,32*
AL-20MR-D	24V CC	24V CC Sink/Source	12	RELÉ	8		
AL-20MT-D			12	TRANSISTOR	8		

*Sin módulos de función especial

ESP

2.2 Especificación de suministro eléctrico

Tabla 2.2: Datos técnicos de la alimentación

Descripción	Modelo	Especificación
Alimentación de tensión	AL-***-A	100 - 240V CA~, +10% -15%, 50 - 60 Hz
	AL-***-D	24V CC, +20% -15%
Tiempo máximo admisible de fallo de tensión	AL-***-A	10ms
	AL-***-D	5ms
Corriente de irrupción	240V CA~ (120V CA~)	$\leq 1,5$ A (0,7 A)
	24 V CC	$\leq 7,0$ A
Consumo eléctrico máximo. (sin módulos de función especial)	AL-6MR-A, 264V CA~	3,0 W
	AL-10MR-A, 264V CA~	4,0 W
	AL-10MR-D, 28,8V CC	3,0 W
	AL-10MT-D, 28,8V CC	2,0 W
	AL-20MR-A, 264V CA~	8,0 W
	AL-20MR-D, 28,8V CC	7,0 W
	AL-20MT-D, 28,8V CC	5,0 W

ESP

Tabla 2.2: Datos técnicos de la alimentación

Descripción	Modelo	Especificación
Consumo eléctrico típico (sin módulos de función especial)	AL-6MR-A, 240V CA~	E/S „1“ - 2,5 W, E/S „0“ - 1,5 W
	AL-6MR-A, 120V CA~	E/S „1“ - 2,0 W, E/S „0“ - 1,2 W
	AL-10MR-A, 240V CA~	E/S „1“ - 3,0 W, E/S „0“ - 1,5 W
	AL-10MR-A, 120V CA~	E/S „1“ - 2,5 W, E/S „0“ - 1,2 W
	AL-10MR-D, 24V CC	E/S „1“ - 2,0 W, E/S „0“ - 0,3 W
	AL-10MT-D, 24V CC	E/S „1“ - 2,0 W, E/S „0“ - 0,3 W
	AL-20MR-A, 240V CA~	E/S „1“ - 5,0 W, E/S „0“ - 1,5 W
	AL-20MR-A, 120V CA~	E/S „1“ - 4,0 W, E/S „0“ - 1,2 W
	AL-20MR-D, 24V CC	E/S „1“ - 5,0 W, E/S „0“ - 0,3 W
	AL-20MT-D, 24V CC	E/S „1“ - 5,0 W, E/S „0“ - 0,3 W

ESP

2.3 Entradas

Tabla 2.3: Datos técnicos de las entradas para CA

Descripción	Especificación
Tensión de entrada	100 - 240V CA~, +10% -15%, 50 - 60 Hz
Impedancia de entrada	≥ 800 kOhmios
Corriente de entrada	0,24mA / 240V CA~, Ver nota 1*
Señal 0 -> Señal 1 / Señal 1 -> Señal 0	80V/40V
Tiempo de reacción	~ 50ms
Circuito de aislamiento	No
Indicador de funcionamiento	Visualizador de cristal líquido

Tabla 2.4: Datos técnicos de las entradas para CC

Descripción	Sink ("-" Common)	Source ("+" Common)
Tensión de entrada	24V CC +20% -15%	24V CC +20% -15%
Corriente de entrada	5,0 mA	5,0 mA
Señal 0 -> Señal 1 / Señal 1 -> Señal 0	Corriente: $\geq 4,3$ mA / $\leq 1,1$ mA Tensión: ≤ 4 V / ≥ 18 V	Tensión: ≥ 18 V / ≤ 4 V
Tiempo de reacción (I01 - I08)	10 - 20 ms	10 - 20 ms
Tiempo de reacción (I09 - I12)	20 - 40 ms	20 - 40 ms
Circuito de aislamiento	No	No
Indicador de funcionamiento	Visualizador de cristal líquido	

*Nota 1 – La fuga de corriente que procede de los sensores conectados a las entradas pueden suministrar corriente suficiente para conectar el controlador. No utilizara dos sensores de cable.

ESP

Tabla 2.5: Datos técnicos de las entradas para análogo

Descripción	Especificación
AL-10M*-D	6 canales: I01 - I06
AL-20M*-D	8 canales: I01 - I08
Promedio de entrada análogo	0 - 250
Resolución	10000/250 mv
Velocidad de conversión	10 ms
Tensión de entrada	0 - 10V CC
Impedancia de entrada	150 kOhmios o más
Exactitud general	+/- 5% (0,5V CC)
Offset/Ganancia	Valor offset = 0 at 0V CC Valor ganancia: 0 - 10V = 0 - 250 Estos valores por defecto se pueden cambiar en el Offset FB
Deriva térmica	+/- 3 LSB

ESP

2.4 Salidas

Tabla 2.6: Datos técnicos de las salidas de relé

Descripción	Especificación
Tensiones de conexión	250V CA~ o menos, 30V CC o menos
Carga resistiva máxima	8A / Común (10A / Común para salidas 110V CA~)
Ciclo de vida del contacto / Carga resistencia	100000 ciclos 8 A / 240V CA~ o 24V CC 30000 ciclos 10 A / 110V CA~
Carga mínima	50mW (10mA a 5V CC)
Carga inductiva máxima	245 VA (1/3 hp) / 125 VAC~, 367 VA (1/2 hp) / 250 VAC~
Tiempo de reacción	10ms o menos
Indicador de funcionamiento	Visualizador de cristal líquido
Resistencia de aislamiento	para relé

Tabla 2.7: Datos técnicos de las salidas transistorizadas (Source)

Descripción	Especificación
Tensiones de conexión	5 - 24V CC (+20%, -5%)
Carga resistiva máxima	1A / borna (8 - 24V CC), 0,1A / borna (5 - 8V CC)
Carga mínima	1,0mA
Carga inductiva máxima	1A / 24V CC (24 W)
Carga de lámpara máxima	0,125 A / 24V CC (3,0 W)
Tiempo de reacción 1 -> 0 / 0 -> 1	≤ 1 ms
Corriente de fuga	$\leq 0,1$ mA / 24V CC
Indicador de funcionamiento	Visualizador de cristal líquido
Visualizador de cristal líquido	No

ESP

2.5

Especificación de carácter general**Tabla 2.8: Especificación de carácter general**

Descripción	Especificación
Método de programación	Bloque de función
Capacidad del programa	64 Bloques de función o 1500 bytes
Método de almacenamiento en el programa	EEPROM integrado (no se requiere sustituto de batería) o casete opcional EEPROM
Dispositivo de copia de seguridad, Copia de seguridad usando el reloj de tiempo real (RTR)	20 días 25°C (por condensador)
Precisión RTR	5 segundos / día
Temperatura de servicio	0 - 55 °C
Temperatura de almacenamiento	(-30) - 70 °C
Resistencia a las vibraciones Montaje directo	conforme con IEC 68-2-6; 10-57 Hz: 0,15 mm amplitud constante 57-150 Hz: 19,6 m/s ² Aceleración Conteo de barrido para X,Y,Z: 10 veces (80 min. en cada dirección)
Resistencia a las vibraciones Montaje en raíl DIN	conforme con IEC 68-2-6; 10-57 Hz: 0,075 mm amplitud constante 57-150 Hz: 9,8 m/s ² Aceleración Conteo de barrido para X,Y,Z: 10 veces (80 min. en cada dirección)
Resistencia al choque	conforme con IEC 68-2-27: 147m/s ² Aceleración, Tiempo de acción: 11 ms 3 veces en cada dirección X,Y y Z
Inmunidad al ruid	1000Vpp, 1 microsegundo, 30 - 100 Hz, probado por simulador de ruidos
Humedad	Humedad relativa 35-85%, sin condensación
Resistencia a tensiones eléctricas	3750V AC > 1 min por EN60730-1 entre los siguientes puntos: Terminales de entrada de potencia y terminales de salida de relé Terminal de salida de relé y terminal de salida de relé Todos los terminales y la caja de control DIN 43880 o sus equivalentes

ESP

Tabla 2.8: Especificación de carácter general

Descripción	Especificación
Resistencia de aislamiento	7 Mohmios a 500V DC por EN60730-1 entre los siguientes puntos: Terminales de potencia /entrada y terminales de salida de relé Terminal de salida de relé y terminal de salida de relé Todos los terminales y la caja de control DIN 43880 o sus equivalentes
Tipo de acción	EN 60730-1, sección 6.4.3 - tipo 1C (Sortidas de relé)
Tipo de acción	EN 60730-1, sección 6.4.3 - tipo 1Y (Sortidas de transistor)
Clase de software	EN 60730-1, sección H6.18 - clase A
Construcción del control	EN 60730-1, sección 6.15 - Control incorporado
El control es eléctrico	EN 60730-1, sección H2.5.7 - Control eléctrico
Clase de seguridad	II
Control de polución	Para uso en situaciones normales de polución
Conexión a tierra	Non
Aislamiento eléctrico	Aislamiento reforzado primario /secundario
Entorno operacional	Libre de gases corrosivos. Mínima cantidad de polvo.
Protección	IP 20
Certificaciones	CE, UL/cUL
Declaration de conformidad	TUV (AL-10MT-D, AL-10MR-D)
Se corresponde con	UL 508 EN60730-1 EN61010-1 EN50081-1 EN50082-1 EN50082-2
Indicador de funcionamiento	Visualiza 4 líneas de diez caracteres cada una, modo Ejecución programa On/Off, proteccion de contraseña, tabla de imágenes y bloques de función durante la programación.

ESP

3. Instalación

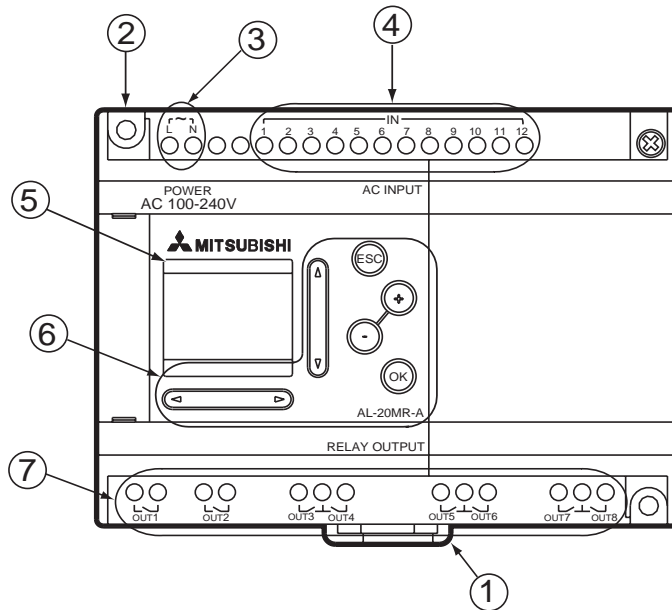


Tabla 3.1: Descripción de las unidades

No.	Descripción
1	DIN-RAIL Grapas de montaje
2	Orificio de montaje, Dia. 4,2 mm
3	Bornas de tensión
4	Bornas de entrada
5	Visualizador de cristal líquido
6	Teclado de operación
7	Bornas de salida

3.1 Carriles de montaje DIN

Las unidades se pueden montar mediante un "enclavamiento" sobre un carril de montaje DIN 35 mm (DIN EN 50022). Para el desmontaje de la unidad, levantar la fijación rápida con un destornillador y retirar la unidad del carril.

3.2 Conexiones de bornas roscadas

Para la conexión de cables se han previsto en las unidades α bornas roscadas. Emplear bornas de engarzado aisladas para la conexión del cable.

ESP

3.3 Observaciones sobre el emplazamiento



El diseño seguro de α Series significa que el usuario puede instalarlo casi en todas partes, pero se deberían tomar en consideración los siguientes puntos. No lo instale en zonas con polvo excesivo o conductor, corrosivos o gas inflamable, humedad o lluvia, calor excesivo, impactos usuales o vibración excesiva. No lo coloque en agua ni deje que ésta penetre en el controlador.

No deje que caigan restos dentro de la unidad al hacer la instalación.

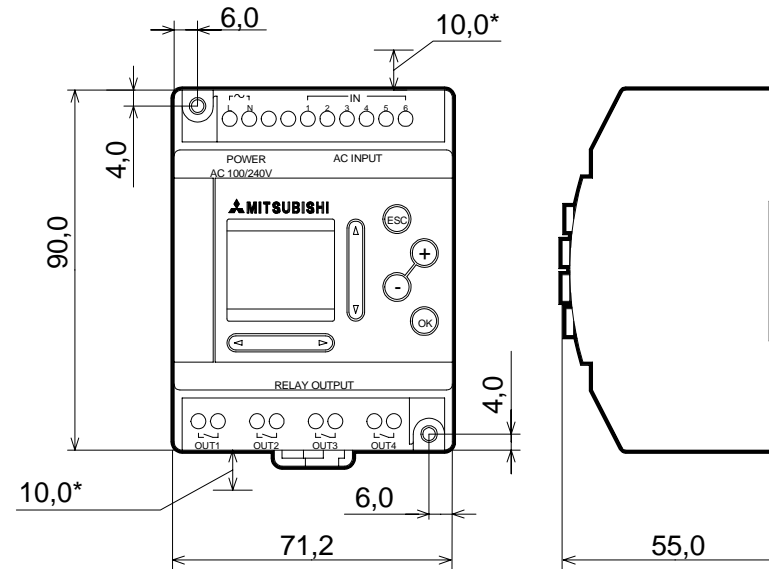
Mantenerse lo más lejos posible de los cables de alto voltaje y del equipo de poder.

El α debe instalarse en gabinetes que estén diseñados para el conjunto de dispositivos, que cumplen con DIN 43880 o en una caja de control.

Usar tornillos de medida M4 cuando se monte, usando los agujeros para tornillos.

Los conectores deben estar recubiertos para prevenir algún daño por contacto con los alambres "energizados".

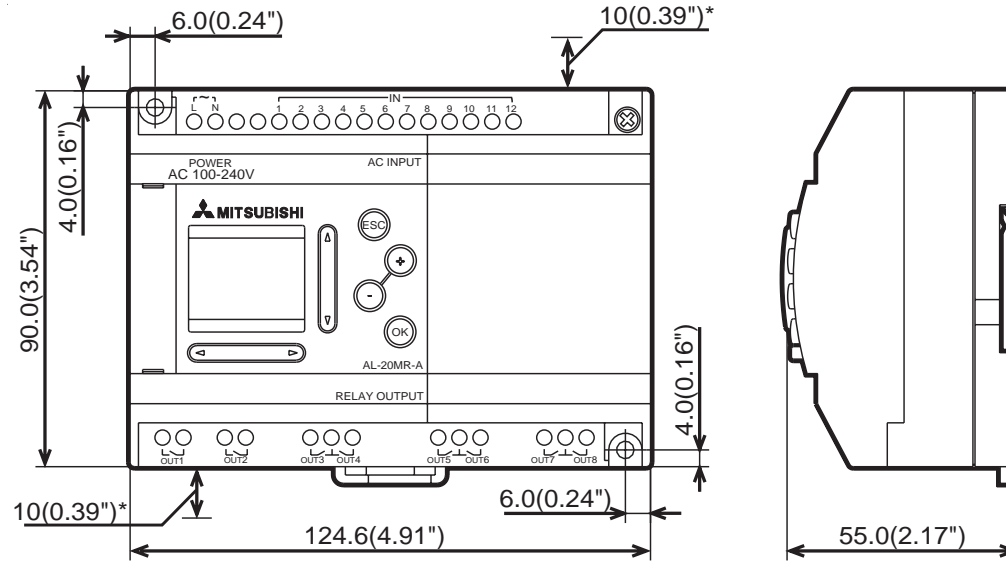
* Dejar un mínimo de 10 mm de espacio para ventilación entre los bordes superior e inferior del α y las paredes circundantes.



All units in mm

ESP

No desmonte el controlador α . Consulte el manual del cassette de memoria al cambiar el cassette de memoria.



ESP

ESP

4. Alambrado

4.1 Notas sobre los alambres de instalación



El cableado del sistema α se ha diseñado de modo seguro y fácil. Un técnico o ingeniero experimentados en los estándares eléctricos nacionales y locales debe realizar todas las tareas asociadas con el cableado eléctrico del α . Desconecte el suministro de electricidad antes de ejecutar cualquier operación de alambrado.

- Los cables de entrada y salida no deben ser pasados a través del mismo cable multiteje o compartir el mismo alambre.
- No dejar cables de entrada/salida cerca de los cables de poder de alto voltaje.

Haga que las líneas usadas tengan una distancia extensa para la caída de voltaje y la interferencia de ruido con la entrada/salida. Utilice alambre de tamaño apropiado para la carga eléctrica.

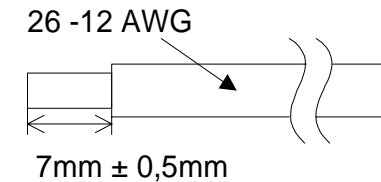
4.2 Tamaño del alambre y sus especificaciones



Alambrar las entradas y salidas usando alambre de $1,3 \text{ mm}^2$ - $3,31 \text{ mm}^2$ (26-12 AWG). Pelar el cable en un largo de $7 \pm 0,5 \text{ mm}$.

Por favor desenrosque el terminal hasta su posición más abierta antes de insertar un alambre. Meta el alambre por completo en el terminal para asegurar un conexión adecuada. Meta el alambre en el terminal y apriételo lo suficiente para evitar que se suelte por tracción. Para impedir que el alambre sufra daños no exceda el par de giro máximo de $0,5 \text{ N}\cdot\text{m}$ ($5 \text{ kgf}\cdot\text{cm}$). No aplique al alambre pelado estaño, soldadura u otra sustancia que lo obligue a romperse.

Los terminales aceptarán un destornillados de 3 mm de cabeza plana.



ESP

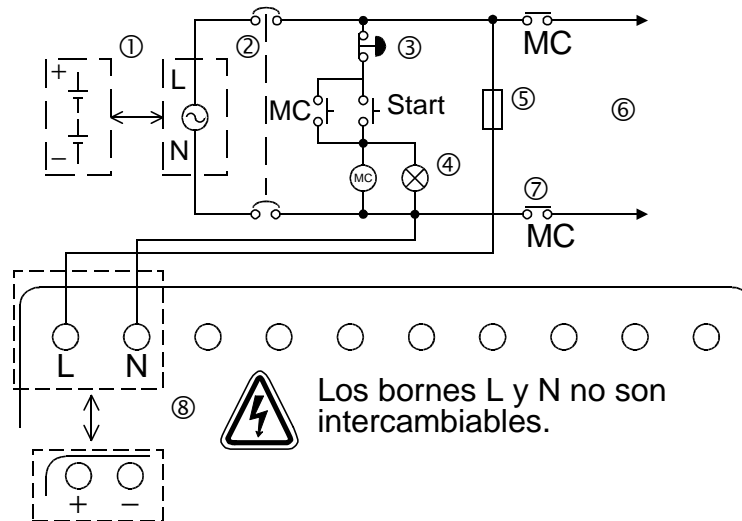
4.3 Alimentación de tensión



Al conectar una tensión alterna (CA), el conductor L se tiene que conectar a la borna L y el conductor N a la borna N. NO conecte el alambre "vivo" al terminal "N", pues el usuario podría sufrir una peligrosa descarga eléctrica en el momento de la conexión.

En la conexión de una tensión continua (CC), el conductor positivo se tiene que conectar en la borna (+) y el conductor negativo en la borna (-). La conexión de la unidad de alimentación de tensión no se debe efectuar en ningún caso con ninguna otra borna de la unidad. Las unidades de alimentación de CC deben ser capaces de suministrar 4 amperios al controlador.

4.4 Cableado la alimentación



ESP

Tabla 4.1: Alimentación

No.	Descripción
1	Alimentación: CA~:100-240V 50-60Hz CC: 24V
2	Dispositivo de aislamiento de circuito
3	Interruptor de parada de emergencia
4	Indicador para conexión de tensión
5	Dispositivo de protección con límite de 1,0A
6	Alimentación de tensión para carga CA
7	Conmutador magnético
8	Sistema α

4.5 Cableado las entradas CA

4.5.1 Entradas CA

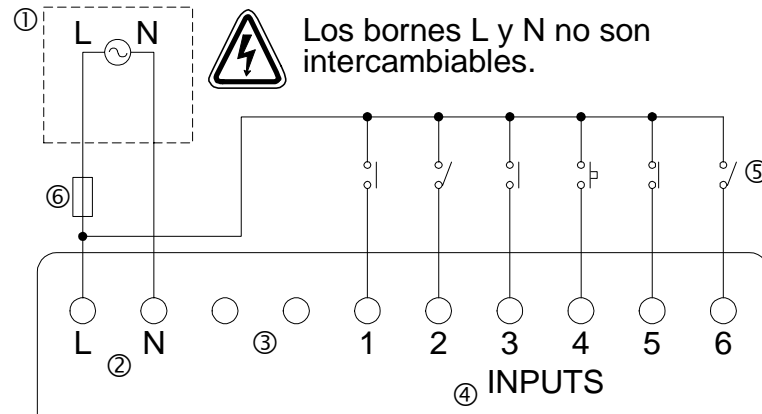


Tabla 4.2: Entradas CA

No.	Descripción
1	Alimentación CA: 100 - 240V CA~ 50 - 60 Hz
2	Bornas de tensión CA
3	Terminales sin uso
4	Bornas de entrada
5	Interruptores de entrada digitales
6	Dispositivo de protección con límite de 1,0A

ESP

4.6 Cableando las entradas Sink/Source

4.6.1 Entradas Source (+)

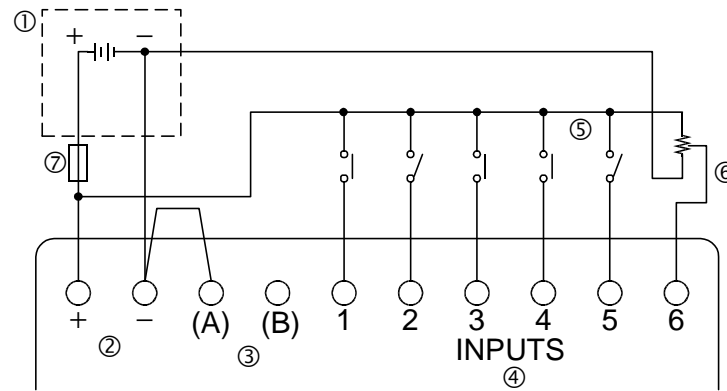
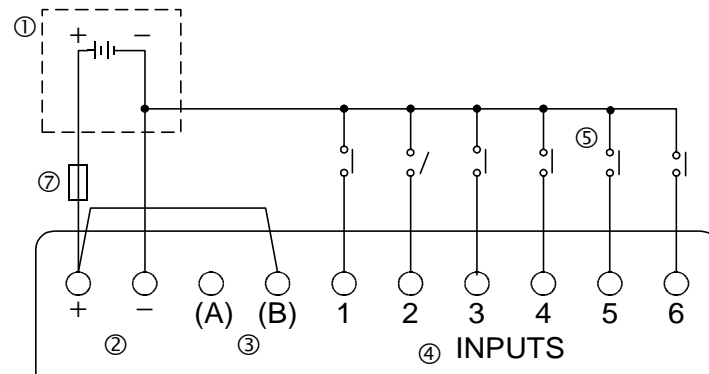


Tabla 4.3: Entradas Sink/Source

No.	Descripción
1	Alimentación CC: 24V CC
2	Bornas de tensión CC
3	Bornas de entradas Sink/Source
4	Bornas de entrada
5	Conmutadores de entrada del sensor
6	Entrada análoga
7	Dispositivo de protección con límite de 1,0 A

4.6.2 Entradas Sink (-)



ESP

4.7 Cableando las salidas de relé y de transistor

4.7.1 Sortidas de relé (CA y/o CC)

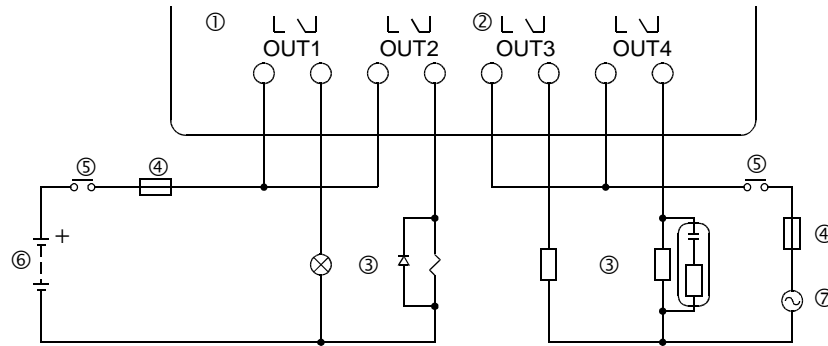


Tabla 4.4: Sortidas de relé

No.	Descripción
1	Sistema α
2	Salidas mutuamente exclusivas
3	Dispositivos de salida
4	Fusible: 10A para espectivamente 4 bornas de salida para la protección del circuito de conmutación de salida α
5	Interruptor de parada de emergencia
6	Tensión CC
7	Tensión CA

ESP

4.7.2 Sortidas de transistor (source o “+” Common solamente)

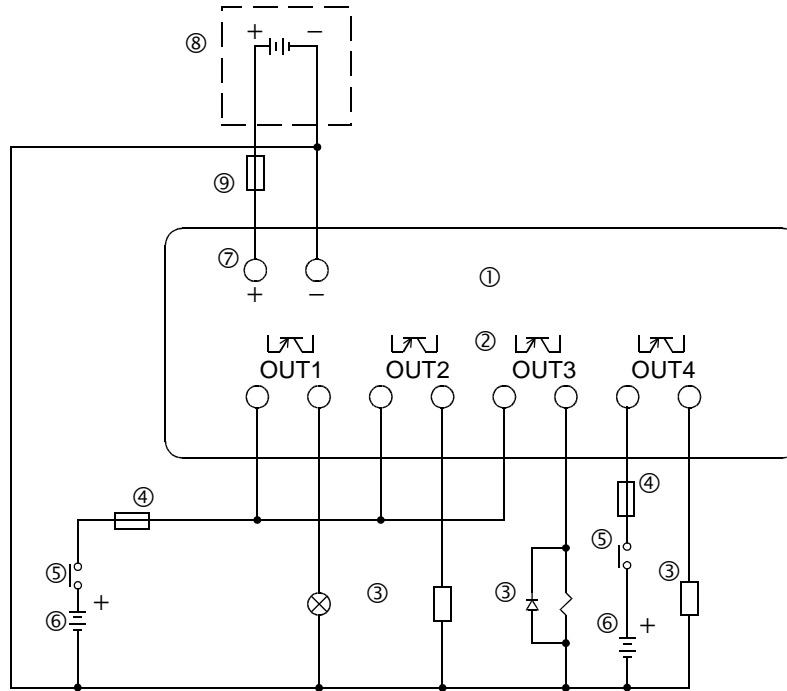


Tabla 4.5: Sortidas de transistor

No.	Description
1	Sistema α
2	Bornas de entrada
3	Dispositivos de salida
4	Dispositivo de protección ver la tabla 4.6
5	Interruptor de parada de emergencia
6	Alimentación CC para sortidas
7	Bornas de tensión
8	Alimentación CC, 24V CC
9	Dispositivo de protección con límite de 1,0A

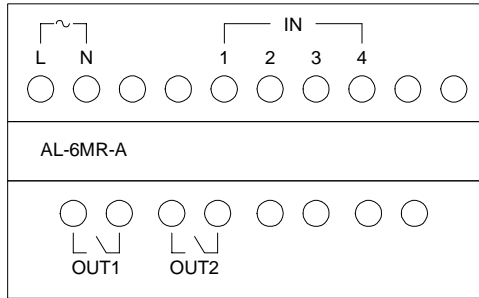
Circuito	Voltaje de la protección del circuito (fusible)
5 Volt	$\leq 0,3$ A por circuito
12 Volt	$\leq 2,0$ A por circuito
24 Volt	$\leq 2,0$ A por circuito

Volt	Bornas de sortidas
5 or 12-24	Cada circuito puede contener desde un terminal de salida hasta cualquier número de terminales de salida.
5,12,24	Cualquier combinación de salidas de 5 , 12 o 24 voltios es posible en un mismo controlador de la serie α si se trabaja con circuitos separados para cada nivel de voltaje..

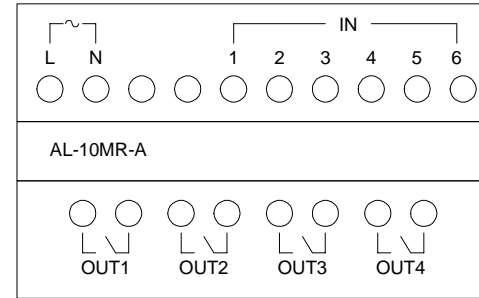
ESP

5. Ocupaciones de bornas

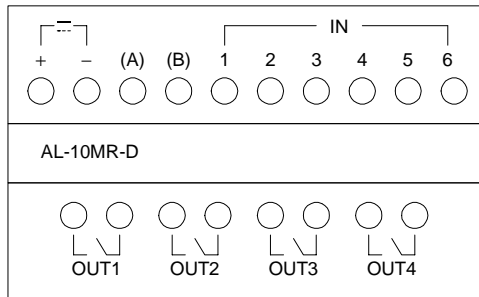
AL-6MR-A, Entrada CA, salida del relé



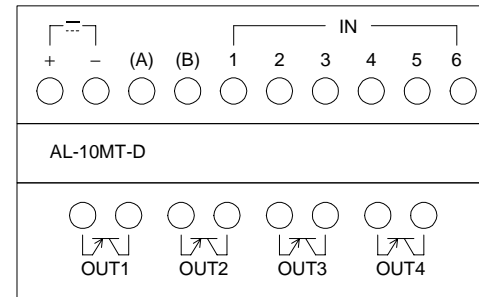
AL-10MR-A, Entrada CA, salida del relé



AL-10MR-D, Entrada CC, salida del relé

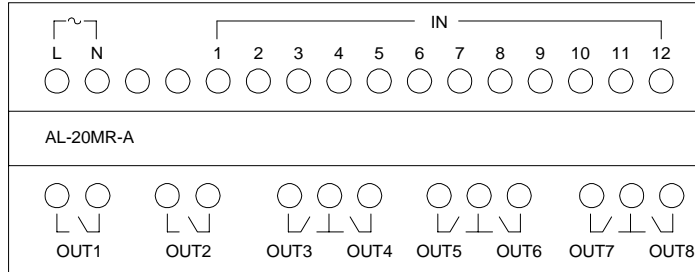


AL-10MT-D, Entrada CC, salida del transistor

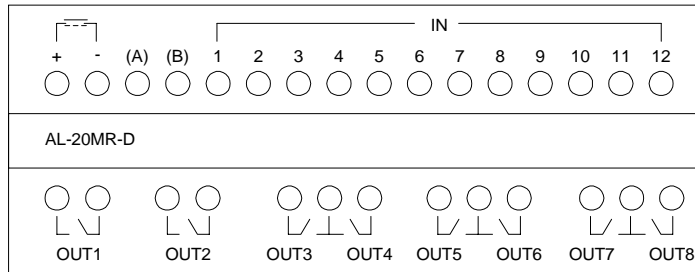


ESP

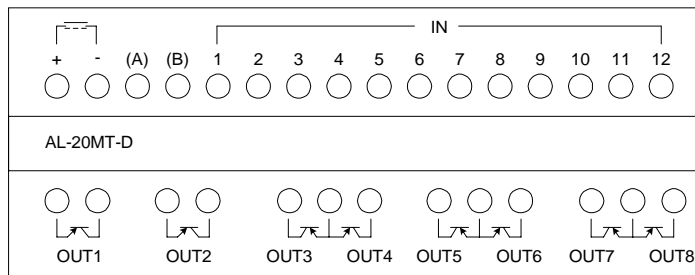
AL-20MR-A, Entrada CA, salida del relé



AL-20MR-D, Entrada CC, salida del relé



AL-20MT-D, Entrada CC, salida del transistor



ESP

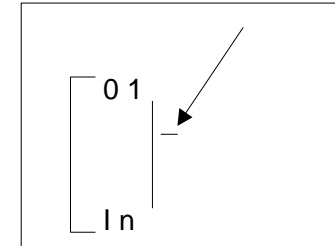
6. Inicio

El α emplea la programación por bloques de función. Esta programación hace que los bloques de función se interconecten para formar un programa. Existen cinco tipos de bloques capaces de combinarse en un programa: Entradas del sistema, Teclado del panel frontal, Bits de memoria del sistema, Bloque de función y Salidas del sistema.

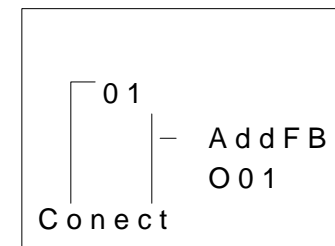
Un visualizador que muestra la fecha, la hora y la tabla de imágenes (estado de las entradas y salidas) indica cuando está activo el Controlador. Pulse cualquier tecla para abrir el Menu princ. Active el modo Editar pulsando la tecla OK para iniciar la programación.

6.1 Manera de conectar dos bloques

Los bloques de función (FB) se conectan uniendo un contacto de salida con un contacto de entrada no utilizado. El contacto de salida figura siempre al lado derecho de los bloques de función. Los contactos sin utilizar se presentan como ">", mientras que los contactos utilizados aparecen como triángulos sólidos. Pulse la tecla "←" para mover la pantalla hacia la derecha hasta que el contacto de salida empiece a centellar. Aplique la tecla "+" para conectar o "agregar" un FB. La tecla "-" sirve para desconectar dos dispositivos.

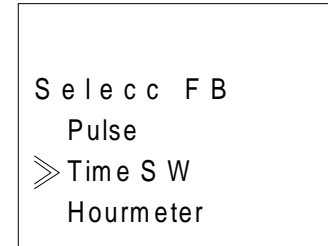


Presione la tecla "+". Las opciones de FB disponibles para la conexión aparecen al lado derecho de la pantalla. Utilice las flechas para moverse hasta el dispositivo deseado para añadir. La selección actual se pone a centellar. El prompt "Conect" aparecerá en la zona superior o inferior de la pantalla. Seleccione el bloque deseado a conectar presionando la tecla OK.



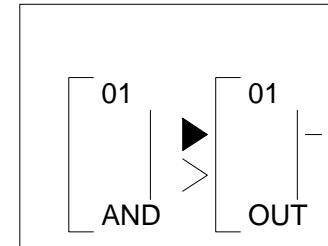
ESP

Las entradas del sistema (I), el teclado del panel frontal (K) los bits de memoria del sistema (M), los bloques de función (B) y las salidas del sistema (O) aparecen en seguida de forma automática siempre y cuando puedan ser interconectados. Los bloques de función han de añadirse durante la programación. Para añadir un nuevo FB, seleccione AddFB. El menú AddFB le mostrará una lista con 22 bloques de función (ver las descripciones de los bloques de funciones al final de este capítulo). Seleccione el bloque apropiado pulsando la tecla OK.



Escoja un contacto de entrada abierto (>) y pulse OK. El prompt "Conect" debe desaparecer de la pantalla. Listo: ¡ahora están conectados los dos bloques de función!

Los contactos de salida se pueden conectar a varios contactos de entrada, pero éstos sólo pueden tener una conexión.

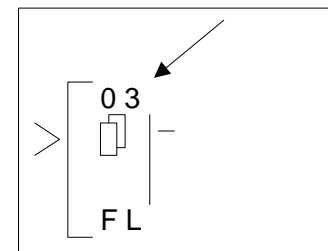


6.2 Manera de acceder a los bloques

Cuando el número FB esté centellando, pulse las teclas "+" y "-" para desplazarse por los bloques numerados adyacentes.

Ejemplo: el número de entrada 03 está centellando en la pantalla. Presionando la tecla "+", la visualización se desplazará hasta el número de entrada 04. Las entradas, salidas, teclados y bits del sistema son accesibles de esta manera.

Los bloques de función ejecutan la misma operación pero se desplazan solamente por los bloques de función que han sido agregados al programa.



ESP

6.3 Manera de configurar los parámetros de un bloque de función

Algunos bloques de función poseen parámetros que requieren configuración. Estos parámetros incluyen tiempo (T), tiempo transcurrido (t), repeticiones establecidas (N), repeticiones actuales (n), Prioridad establecer/restablecer y otros más.

Utilice las teclas direccionales para desplazarse hacia el FB. Cuando el número del FB esté centellando, pulse OK dos veces y entre el modo Param FB. Ajuste las opciones para satisfacer los requerimientos del programa (consulte las operaciones con teclado en la tabla 6.1). *Entre todos los datos necesarios en cada pantalla antes de pulsar el botón OK para confirmar.*

Algunos FB tienen disponibles varias pantallas. Presione el botón OK para trasladarse a una visualización de nivel superior sin guardar el contenido en la memoria del sistema. Al terminar de introducir los datos, presione el botón OK para retornar a niveles más altos de visualización hasta que reaparezca la pantalla programadora principal.

```
B 0 3 : F L
  T i e m p o C o n
T =      0 . 0 s
t =      0 . 0 s
```

ESP

6.4 Manera de salir, ejecutar o detener el programa

Presione el botón ESC para entrar Editar (posiblemente sea necesario presionar el botón ESC más de una vez) y aplique elija la opción Salida para salir de Editar.

```

Editar
Tam. Prog.
>> Salto
FB nuevo
Salida
Mnemonic

```

Aplique a opción Run para iniciar la ejecución del programa. Confirme con OK. Cuando el programa está en ejecución aparece una pantalla frontal con la hora, la fecha y la tabla de imágenes.

Presione cualquier tecla para entrar el Menu princ donde figura la opción Stop. Entre esta opción para detener el programa y confirme con OK.

```

Menu princ
R u n
Editar
>> BorraProg
PonerHora
LANGUAGE
Mas

```

Otras opciones elegibles incluyen :

PonerHora : Ajuste el Reloj de Tiempo Real

LANGUAGE (lengaje) : Inglés, japonés, alemán, francés, italiano o español.

BorraProg : Borra todo en la memoria del programa: ¡programas y datos!

Mas : Ofrece otras opciones más para las operaciones de chequeo de versiones (Version Check), protección de contraseña (Password Protection), programa de cambio a hora de verano (Summer Time Change Schedule), inicialización del módem (Modem Initialization) y menú de teclado (Menu Key)

ESP

Tabla 6.1: Número de tecla y operación básica

Número de tecla	Función principal de la tecla
K01	OK : confirmación de datos ingresados, opciones de menú, selección de programass
K02	ESC : cancelación de la operación actual, pasar a pantalla o menú inmediatos superiores
K03	« + » : conectarse con bloques de función, pasar a bloques numerados inmediatos superiores, incremento de valores
K04	« - » : desconectarse de bloques de función, pasar a bloques numerados inmediatos inferiores, decremento de valores
K05	Up (G) : esplazamiento hacia ítems numerados inmediatos superiores (teclas, FB, entradas, salidas, etc.)
K06	Down (H) : desplazamiento hacia ítems numerados inmediatos inferiores (teclas, FB, entradas, salidas, etc.)
K07	Right (E) : esplazamiento a la derecha de la visualización LCD, programa FB o comando de Salto
K08	Left (F) : desplazamiento a la izquierda de la visualización LCD, programa FB o comando de Salto

ESP

Tabla 6.2: Descripción del bloque de función

Bloque de función	Byte	Descripción
AND	19	Salida activa cuando todas las salidas están activas, entradas no utilizadas consideradas activas
OR	19	Salida activa cuando está activa al menos una entrada, entradas no utilizadas consideradas desactivadas
XOR	13	OR exclusivo; salida activa sólo cuando una de las dos entradas está activa
NAND	19	Not AND; Salida inactiva sólo si todas las entradas están activas, las salidas no utilizadas se consideran desactivadas
NOR	19	Not OR; Salida inactiva si al menos una entrada está activa, las entradas no utilizadas se consideran desactivadas
NOT	10	Invierte una señal; cambia un Off y un On y viceversa
BOOLEAN	*	Ecuación lógica que opera con AND, OR, XOR y NOT
SET/RESET	14	Bloquea un relé en la posición SET/RESET (instalado o reinstalado), asignando prioridad a Set o Reset
DELAY	19	Demora la señal en los márgenes de ascenso o descenso, o en ambos
ONE SHOT	17	Envía un único impulso; basado en el tiempo o en la señal de entrada, contacto de Reset disponible
PULSE	10	Emite un impulso en los márgenes de ascenso o descenso, o en ambos
FLICKER	19	Envía una secuencia de impulsos; tiempos de activación o desactivación (On/Off), repeticiones, duración u operación continua
ALT	13	Salida activada activándose o desactivándose con cada impulso de entrada
COUNTER	16	Conteo en base a impulsos, puede reajustarse ante un valor o señal de entrada

ESP

Tabla 6.2: Descripción del bloque de función

Bloque de función	Byte	Descripción
U/D Counter	TBD	Conteo de ascenso o descenso con funciones de preajuste y borrado
COMPARE	17	Compara dos valores para <>, =, <=, >=, <> (análogicos, de ajuste directo o de FB)
TIME SW	*	Utiliza RTC para activar o reactivar la salida (On/Off); programación mensual o semanal
OFFSET	22	Manipular valores analógicos; $y = A/B*x + C$; establece valores límite altos (Limit Alto) o bajos (Limit Bajo)
DISPLAY	*	Despliega mensajes o datos en el visualizador LCD
ZONE CMP	20	Compara un valor con un intervalo de valores (valores analógicos, de ajuste directo o de FB)
SCHMITT	19	Activa una entrada con el valor máximo y lo desactiva con el valor mínimo (o viceversa)
Hour Meter	19	Registra el tiempo acumulado que una señal de salida o de entrada ha estado activa
System Outputs	10	Controla los dispositivos externos mediante relés y transistores.

** El número de bytes varía con los datos introducidos.

ESP

ESP

α Simple Application Controller



HEAD OFFICE: MITSUBISHI DENKI BLDG MARUNOUCHI TOKYO 100-8310 TELEX:J24532 CABLE MELCO TOKYO
HIMEJI WORKS:840, CHIYODA CHO, HIMEJI, JAPAN

JY992D74201H
(MEE 9910)

Effective OCT 1999
Specifications are subject
to change without notice.